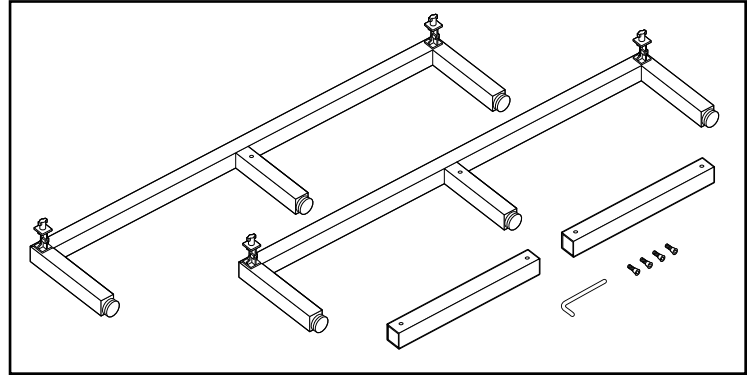


Base Structure Assembly Instructions

Components

Each kit contains the precut and mitered leg assemblies and precut connecting profiles. Also included will be a 5mm allen wrench and shoulder screws for attachment.

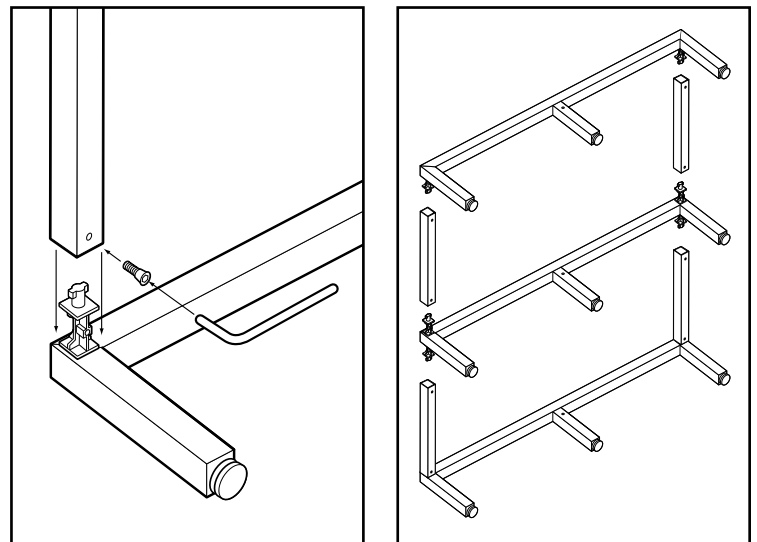


Assembly

Use the supplied shoulder screws to install the profiles using the included 5mm allen wrench.

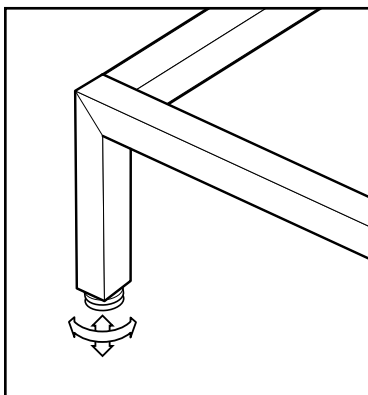
Important - Attach all connecting profiles to the first mitered leg assembly before attaching the next mitered leg assembly.

In units with more than two mitered leg assemblies, attach the first connecting profiles to the first mitered leg assembly, then attach the next mitered leg assembly. Then attach the remaining connecting profiles before attaching the final mitered leg assembly.



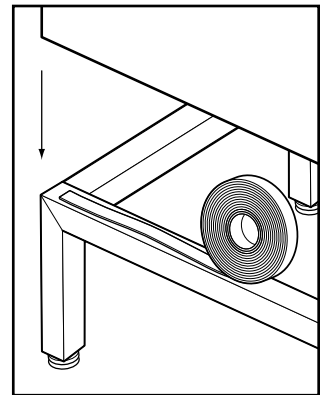
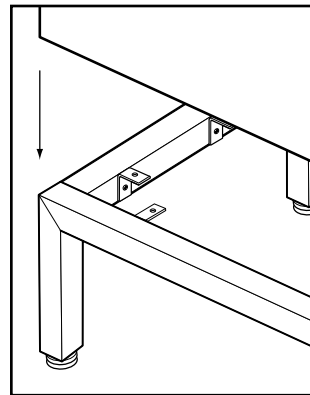
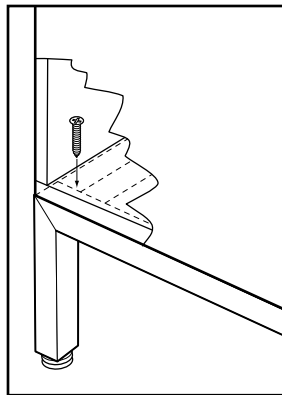
Level the base

Use the adjustable feet to level the cabinet base.



Attach cabinet

Use brackets, screws, or double-sided tape to attach the cabinets to the base.



EXACT FINISH, INC.

1231 Shields Road, Kernersville, NC 27284 USA

1.800.668.7080 • 336. 992.2464 FAX • www.exactfinishinc.com