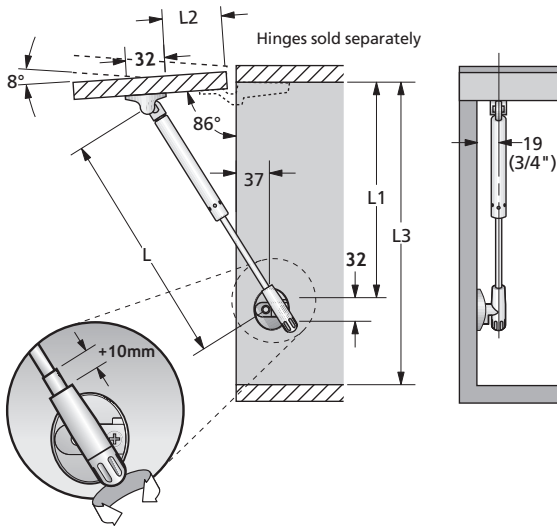


Door Opening Specifications



FRICITION OPENING

Part#	L	N	L1	L2	L3
419021	164	45	145	34	190
419121	164	60	145	34	190
419221	244	45	219	68	264
419321	244	60	219	68	264
419421	244	90	219	68	264
419521	355	60	320	112	365
419621	355	90	320	112	365
419721	355	120	320	112	365
419921	480	60	439	169	484
417021	480	90	439	169	484
417121	480	120	439	169	484

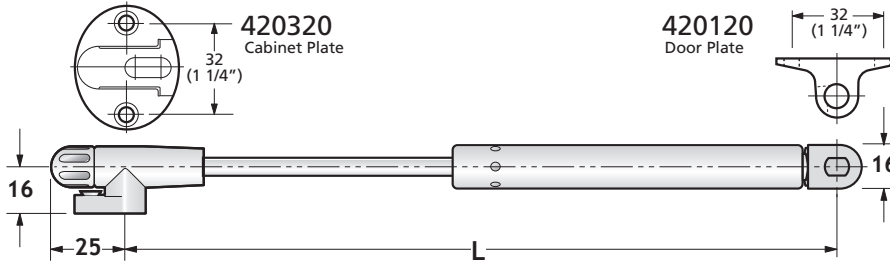
AUTOMATIC OPENING

Part#	L	N	L1	L2	L3
418021	164	50	145	34	190
418121	164	80	145	34	190
418221	244	50	219	68	264
418321	244	80	219	68	264
418421	244	100	219	68	264
418521	244	120	219	68	264
418721	355	80	320	112	365
418821	355	100	320	112	365
418921	355	120	320	112	365

N = Newtons
L3 is a minimum dimension

Polybag

Includes: one Cylinder, one cabinet plate (#420320), one Door Plate (#420120), and two #7FH self tapping screws

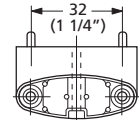


Optional Hardware

Must be ordered separately

- 420521 Door extrusions 1901, 1930, 1956
- 420421 Door extrusion 1905

Door Plate Adapter for Narrow Aluminum Frame Door (includes attachment screws)



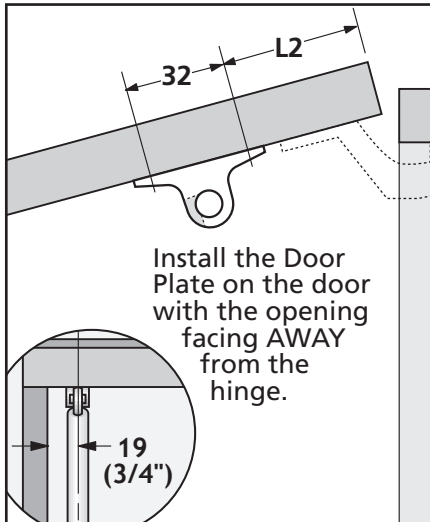
FRICITION OPENING

Door height	Door Width											
	450-599		600-899		900-1199		1200-1499		1500-1799		1800+	
	Part #	Qty	Part #	Qty	Part #	Qty	Part #	Qty	Part #	Qty	Part #	Qty
200-250	419021	1	419021	1	419021	1	419021	1	-	-	-	-
251-300	419021	1	419021	2	419021	2	419121	2	-	-	-	-
301-350	419021	1	419321	1	419421	1	419221	2	419321	2	-	-
351-400	419221	1	419321	1	419221	2	419321	2	419521	2	419621	2
401-450	419321	1	419221	2	419321	2	419421	2	419621	2	419621	2
451-500	419221	2	419321	2	419321	2	419521	2	419621	2	419721	2
501-550	419221	2	419321	2	419421	2	419521	2	419721	2	419921	2
551-600	419521	1	419521	2	419521	2	419621	2	419921	2	417021	2
601-650	419521	2	419521	2	419621	2	419721	2	417021	2	417021	2
651-700	419521	2	419521	2	419621	2	419721	2	417121	2	417121	2

AUTOMATIC OPENING

Door height	Door Width											
	450-599		600-899		900-1199		1200-1499		1500-1799		1800+	
	Part #	Qty	Part #	Qty	Part #	Qty	Part #	Qty	Part #	Qty	Part #	Qty
200-250	418021	1	418121	1	418021	2	418121	2	418721	2	418821	2
251-300	418121	1	418021	2	418121	2	418121	2	418821	2	418921	2
301-350	418321	1	418321	1	418321	2	418321	2	418921	2	-	-
351-400	418321	1	418221	2	418321	2	418421	2	-	-	-	-
401-450	418221	2	418321	2	418421	2	418721	2	-	-	-	-
451-500	418321	2	418321	2	418521	2	418721	2	-	-	-	-
501-550	418321	2	418421	2	418721	2	418821	2	-	-	-	-
551-600	418421	2	418521	2	418721	2	418921	2	-	-	-	-
601-650	418421	2	418721	2	418821	2	-	-	-	-	-	-
651-700	418521	2	418721	2	418921	2	-	-	-	-	-	-

Installation on the Door

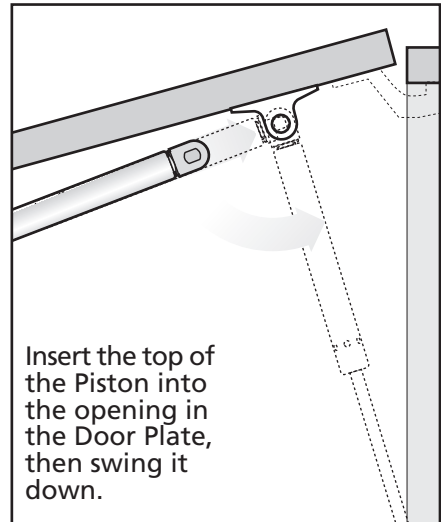


FRICITION OPENING

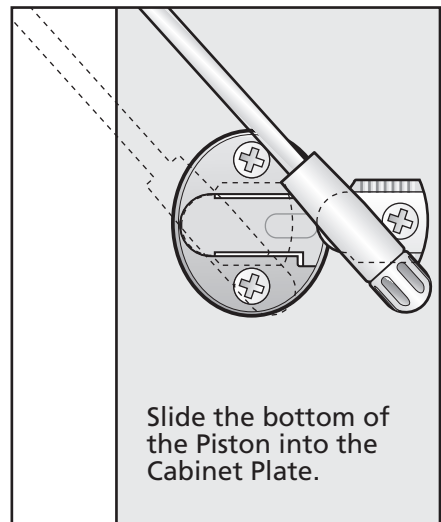
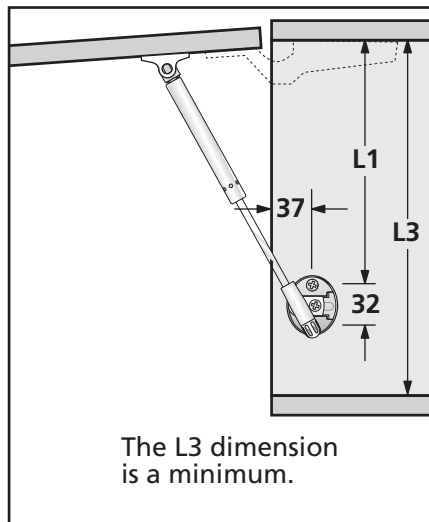
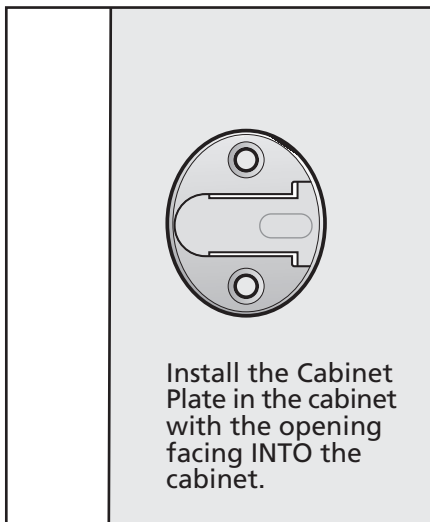
Part#	L	N	L1	N = Newtons L3 is a minimum	
				L2	L3
419021	164	45	145	34	190
419121	164	60	145	34	190
419221	244	45	219	68	264
419321	244	60	219	68	264
419421	244	90	219	68	264
419521	355	60	320	112	365
419621	355	90	320	112	365
419721	355	120	320	112	365
419921	480	60	439	169	484
417021	480	90	439	169	484
417121	480	120	439	169	484

AUTOMATIC OPENING

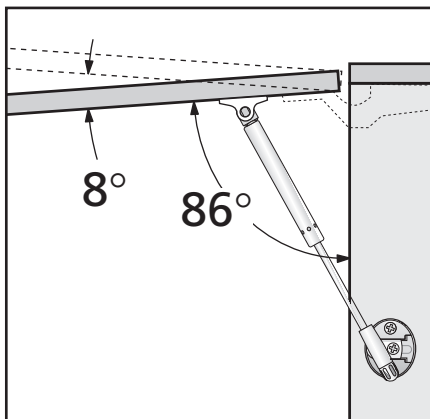
Part#	L	N	L1	N = Newtons L3 is a minimum	
				L2	L3
418021	164	50	145	34	190
418121	164	80	145	34	190
418221	244	50	219	68	264
418321	244	80	219	68	264
418421	244	100	219	68	264
418521	244	120	219	68	264
418721	355	80	320	112	365
418821	355	100	320	112	365
418921	355	120	320	112	365



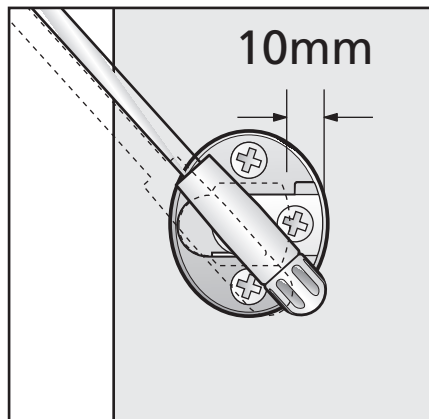
Installation on the Cabinet



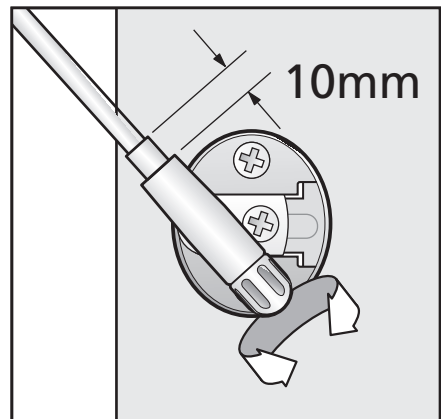
Adjustment



The minimum opening angle should be 86°, with 8° of adjustment.



The Cabinet plate can be moved in and out 10mm. Tighten the screw to fix it in place.



Turning the knob on the bottom of the Breeze unit will lengthen the unit by up to 10mm.