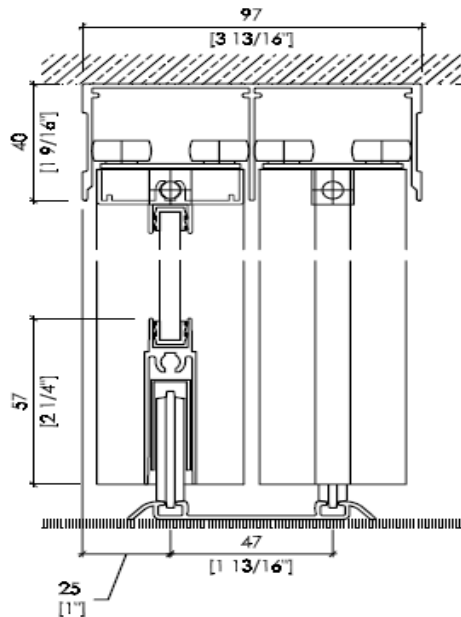
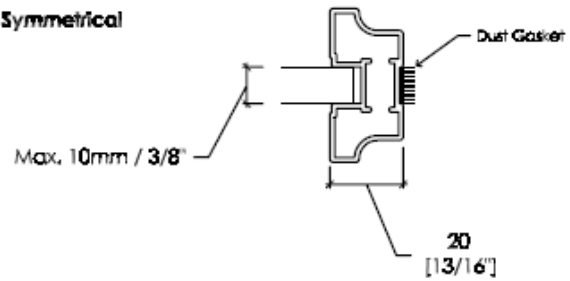


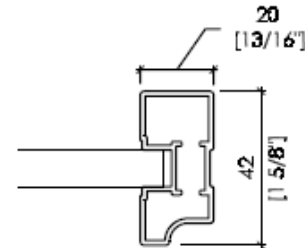
S1500_Section & Stile Detail



S1500 Symmetrical

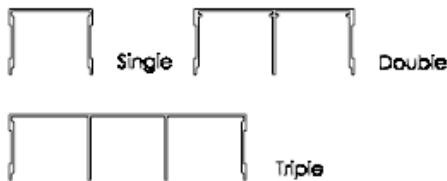


S1500 Asymmetrical

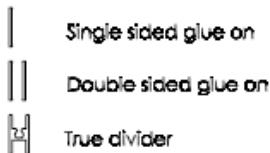


S1500_Specifications

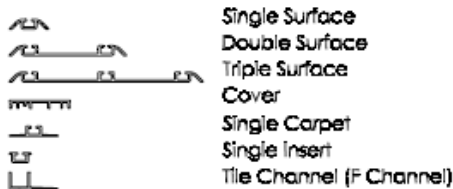
Top Track



Dividing Rails



Bottom Track



Finishes

- Silver Anodized
- Bronze Anodized*
- Gold Anodized*
- White Powder Coat*
- Matte Black Powder Coat*

* Special order only

Panel Materials

Frame Kit (no panel)

- Panel Thickness, Glass max, 8mm
- Panel Thickness, other max, 10mm
- Silicone Gasket for panel size

Max. size (w x h) / weight:

390lbs / 180kgs

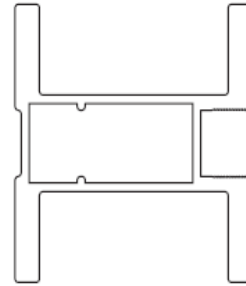
4mm, 5mm, 6mm, 8mm
1/8", 3/16", 1/4", 5/16"

Solid Panels

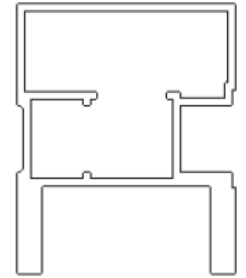
- MDF, Paint Grade 4' x 8'
- MDF, Custom Paint 4' x 8'
- Melamine 4' x 8'
- Clear Coat Veneer (cherry, walnut, oak) 4' x 8'
- Custom Stain Veneer (cherry, walnut, oak) 4' x 8'

Glass Panels

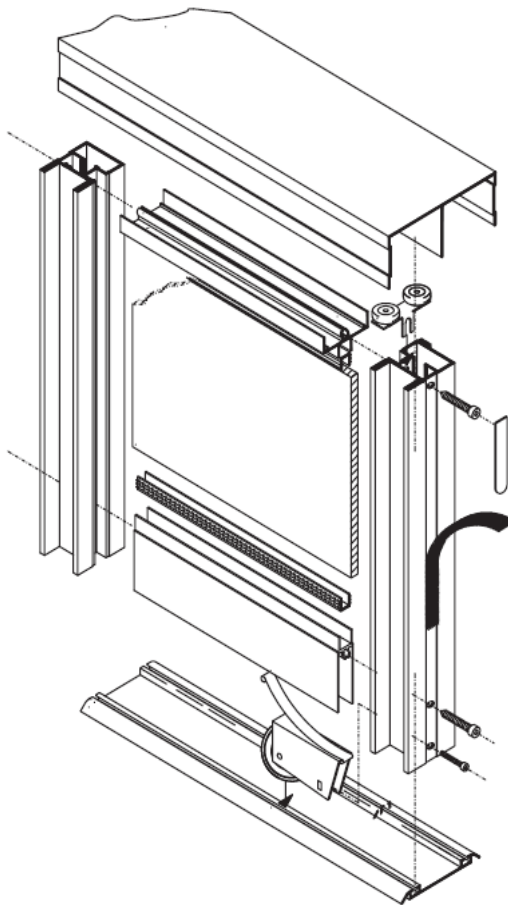
- 6mm Clear Laminated Glass 6' x 10'
 - 6mm Diffused White Laminated Glass 6' x 10'
 - 4mm Clear Tempered Glass 6' x 10'
 - 4mm Mirror w. Safety Backing 6' x 10'
 - 4mm MasterGlass (Tempered) 6' x 10'
- (Carre, Point, Ray, Linz)



S3000 Symmetrical



S3000 Asymmetrical

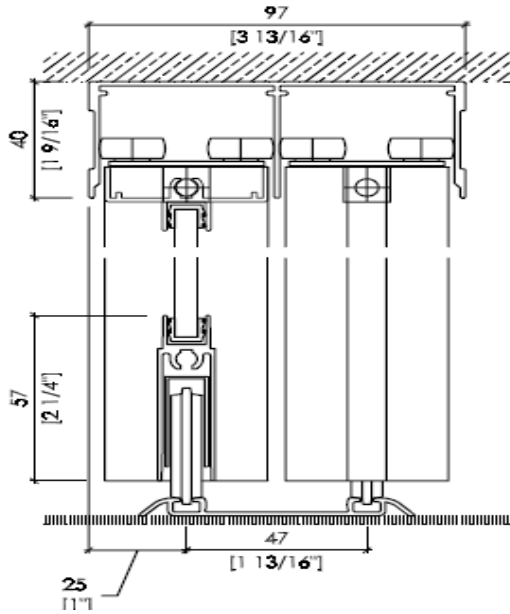


Isometric view S3000

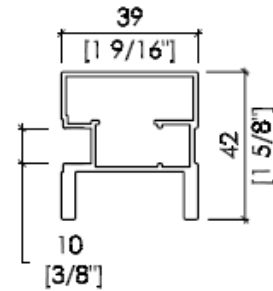
S3000

The S3000 is the most impressive profile in EFI's Architectural Series. The scale and crispness of this extrusion lend themselves to high-end residential and office applications where the focus is on detail. It is available for sliding doors and closet applications. The S3000 is also available for top-and bottom-mounted systems.

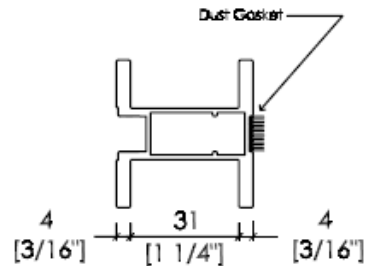
S3000_Section & Stile Detail



S3000 Asymmetrical

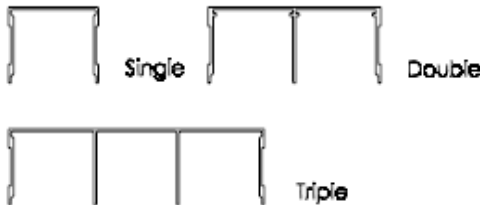


S3000 Symmetrical

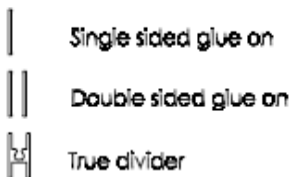


S3000_Specifications

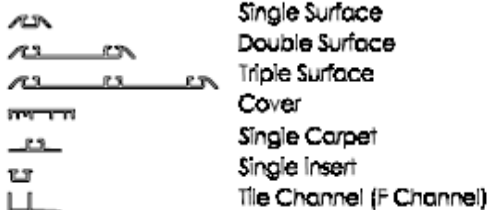
Top Track



Dividing Rails



Bottom Track



Finishes

Silver Anodized
Bronze Anodized*
Gold Anodized*

White Powder Coat*
Matte Black Powder Coat*
* Special order only

Panel Materials

Frame Kit (no panel)

Panel Thickness, Glass max. 8mm
Panel Thickness, other max. 10mm
Silicone Gasket for panel size

Max. size (w x h) / weight:

390lbs / 180kgs

4mm, 5mm, 6mm, 8mm
1/8", 3/16", 1/4", 5/16"

Solid Panels

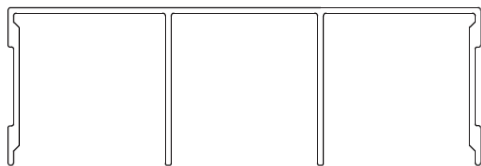
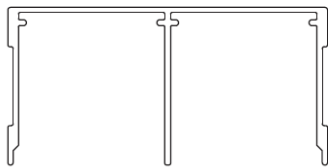
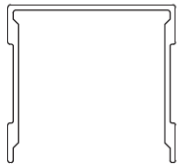
MDF, Paint Grade 4' x 8'
MDF, Custom Paint 4' x 8'
Melamine 4' x 8'
Clear Coat Veneer (cherry, walnut, oak) 4' x 8'
Custom Stain Veneer (cherry, walnut, oak) 4' x 8'

Glass Panels

6mm Clear Laminated Glass 6' x 10'
6mm Diffused White Laminated Glass 6' x 10'
4mm Clear Tempered Glass 6' x 10'
4mm Mirror w. Safety Backing 6' x 10'
4mm MasterGlass (Tempered) 6' x 10'
(Carre, Point, Ray, Linz)



42mm Top Tracks



Cross Section vertical; 42mm Top Track

Single, double and triple top tracks are available as part of EFI's 42mm bottom-mounted sliding door system.

1231 Shields Road
Kernersville, NC 27284
Tel 800 668 7080
Fax 336 992 2454
www.exactfinishinc.com