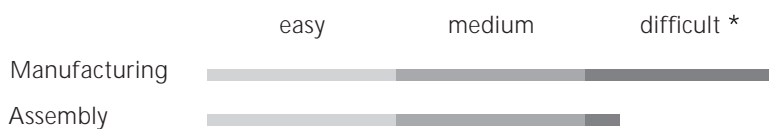




1231 Shields Road
Kernersville, NC 27284
Tel 800 668 7080
Fax 336 992 2464
www.exactfinishinc.com

SLIDING DOOR SYSTEMS: INSTALLATION INSTRUCTIONS AIR-SYSTEM VERSION A



*Base for the degree of difficulty is a standard sliding door without slant.
This is to be classified as ,easy' in respect of production and installation.

INDEX_

General information / Tools_page 3

Technical terms_page 4-5

Preparation_page 5

Assembly / Installation_pages 6-7

A_Insert top roller into insert profile

B_Installation of the top track

C_Insert stopper and brake for top roller

D_Install fixation for top roller at the door

E_Installation of ground plate

F_Assembly AIR-system with top track

Detail drawings_pages 8-11

_GENERAL INFORMATION / TOOLS

ASSEMBLY INSTRUCTIONS AIR-SYSTEM:

GENERAL INFORMATION

The AIR-system version A offers a wide range of variety and versatility. It does not need a bottom track and can directly be installed to the ceiling with a single top track or to the wall with a multiple top track. In addition it can be used in combination with our wall partitioning system.

These directions were created by people for people. We have made an effort to develop the instructions and pictures so that they are logical and easy to understand. If you should nevertheless find something to be unclear, please let us know so that we may revise that section.

Technical details are subject to change.

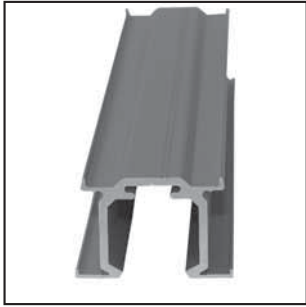
Please check to see if you received all items by checking the delivery sheet. Please pay attention to possible transport damages. In case of any damages please contact your supplier immediately.

REMARKS: Read the measurement instructions.

TOOLS:

Cross tip screwdriver (Phillips)
Allen wrench 2 mm and 4 mm
Drill 6 mm, 3,5 mm, 2,5 mm drill bits
Rubber mallet

_TECHNICAL TERMS



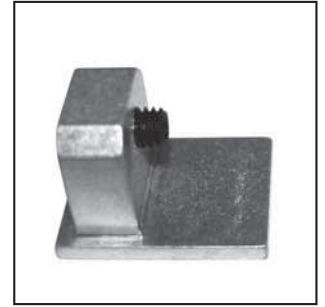
1_



2_



3_



4_



5_



6_



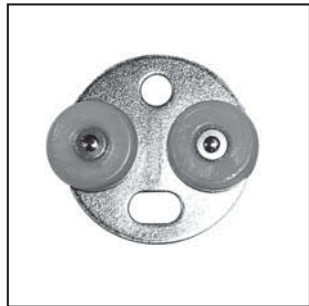
7_



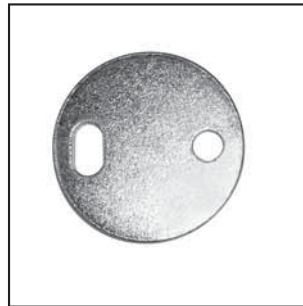
8_



9_



10_



11_

1_Top track insert system AIR (14.55.020)_is either to be mounted in the top track or to the wall connection profile or directly to the ceiling.

2_Top roller (10.05.010)_is to be pushed into the insert profile.

3_Pusher for top roller (10.05.050)_to push the top roller into the fixation.

4_Security for pusher (10.05.056)_to secure the top roller, in order to prevent it from rolling out of the top profile.

5_Fixation for top roller (10.05.040)_is to be pushed into the top rail and screwed together with the top roller.

6_Brake for top roller (10.05.030)_is to be put between the rollers of one door.

7_Stopper for top roller with brake (10.05.015)_is to be placed at the end of the insert profile.

8_Stopper for top roller without brake (10.05.060)_is to be placed at the end of the insert profile.

9_Wall outlet with guiding (10.05.022)_to mount the bottom guiding at the wall.

10_Groundplate with roller (10.05.020)_is to be installed on the floor and serves for the guiding on the floor.

11_Groundplate without roller (10.05.025)_

_TECHNICAL TERMS / PREPARATION

You need the following items for the assembly instructions of an AIR-door. You have the possibility to choose between the profiles of series 1500 and series 3000:

1_Stile S1500 sym. (13.01.0xx)_forms the frame of the sliding door together with top- and bottom rail.

2_Stile S1500 asym. (13.11.0xx)_see above.

3_Stile S3000 sym. (13.61.0xx)_see above.

4_Stile S3000 asym. (13.51.0xx)_see above.

5_Top and bottom rail AIR-system (xx.12.0xx)_forms the frame of the sliding door together with stile.

There are three different types of top tracks available:

6_Top track single (14.15.0xx)_is to be screwed to the ceiling.

7_Top track double (14.05.0xx)_see above.

8_Top track triple (14.35.0xx)_see above.

PREPARATION:

After having unpacked and checked all items you can start your assembly / installation work. We recommend reading these instructions carefully before starting.

ASSEMBLY / INSTALLATION:

You will find detailed descriptions of the assembly steps in the following sections. It is important that you follow these steps in correct order otherwise your sliding door system might get damaged.

_ASSEMBLY / INSTALLATION

A_INSERT TOP ROLLER INTO INSERT PROFILE:

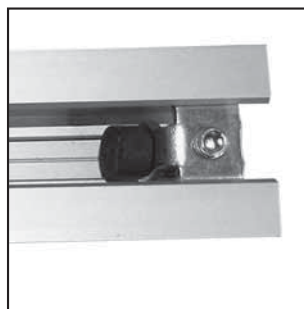
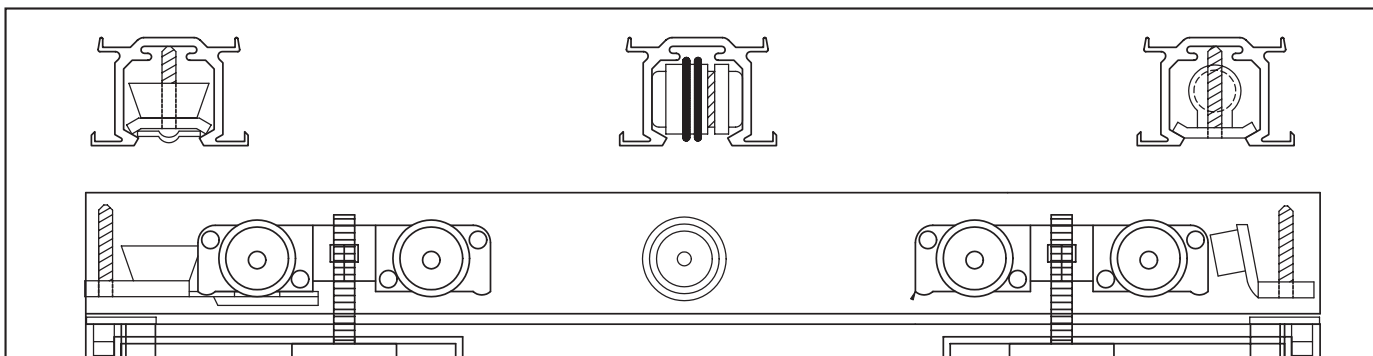


Push the top roller into the insert profile (slide rail), so that it hangs rather loosely. **Please note:** The brake must be pushed between both top rollers of the element inside the guiding track (see the picture below).

B_INSTALLATION OF TOP TRACK:

- 1_Cut your top track to correct length (top tracks are delivered a bit longer than ordered).
- 2_Mark drill holes by holding the top track under the ceiling.
- 3_Drill with a 5 mm drill / affix the top track with 2 screws 4,5 x 50 mm each per approx. 1000 mm.

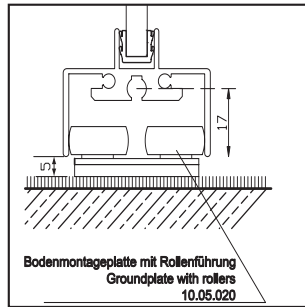
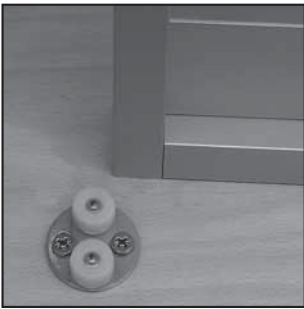
C_INSERT STOPPER AND BRAKE FOR TOP ROLLER:



Mount stopper and the brake for top roller in the top track like indicated above (it is to be put into correct position after having installed the doors). **Note:** The brake for top roller has to be positioned between both top rollers of one door element.

_ASSEMBLY / INSTALLATION

D_INSTALLATION OF GROUND PLATE:

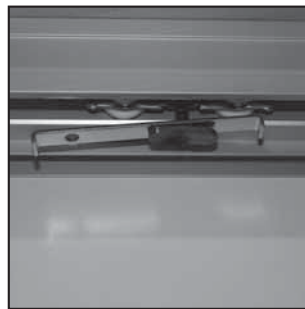


Mount the ground plate on the floor where the moving door will be situated. Use the wall outlet. For this put the door into position and mark the floor with tape where the ground plate should be positioned. If there are differences in height on the floor put a spacer between the floor and the ground plate.

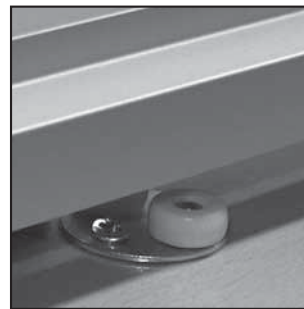
E_ASSEMBLY AIR-SYSTEM:



1_



2_



3_



4_



5_



6_



7_

1_Fasten the fixation for the top roller to the top rail and the pusher to the top roller. Then push the top roller into the insert profile. **IMPORTANT:** In case you install the top track between to walls, that means no use of an end cap for the insert profile, you have to push the top rollers into the top track before installation.

2_First put the door onto the groundplate, then into the top track.

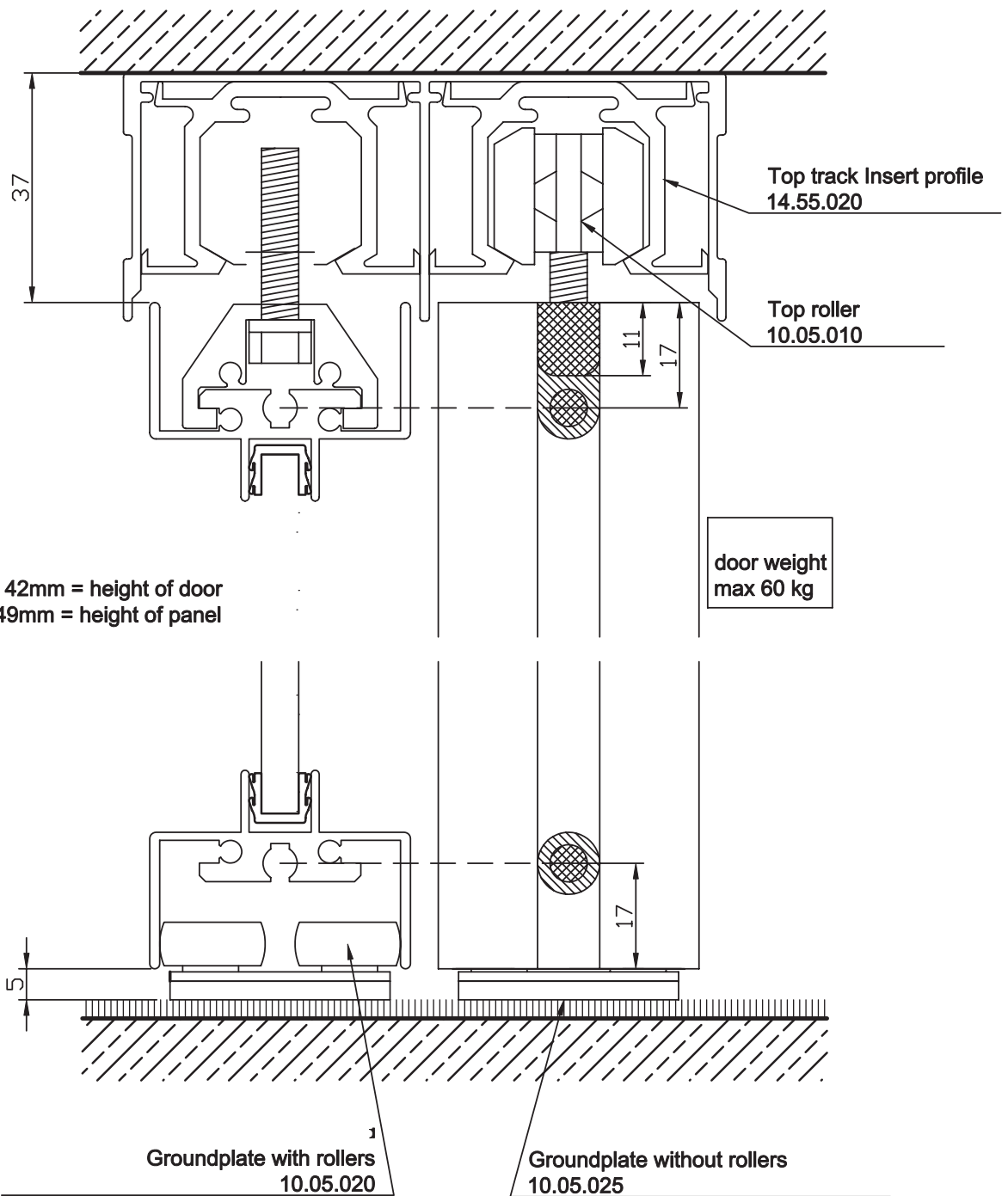
3_Lift the door a bit so that you can push the pusher for the top roller into the fixation.

4_Now push the security for the pusher in front of the pusher and screw it.

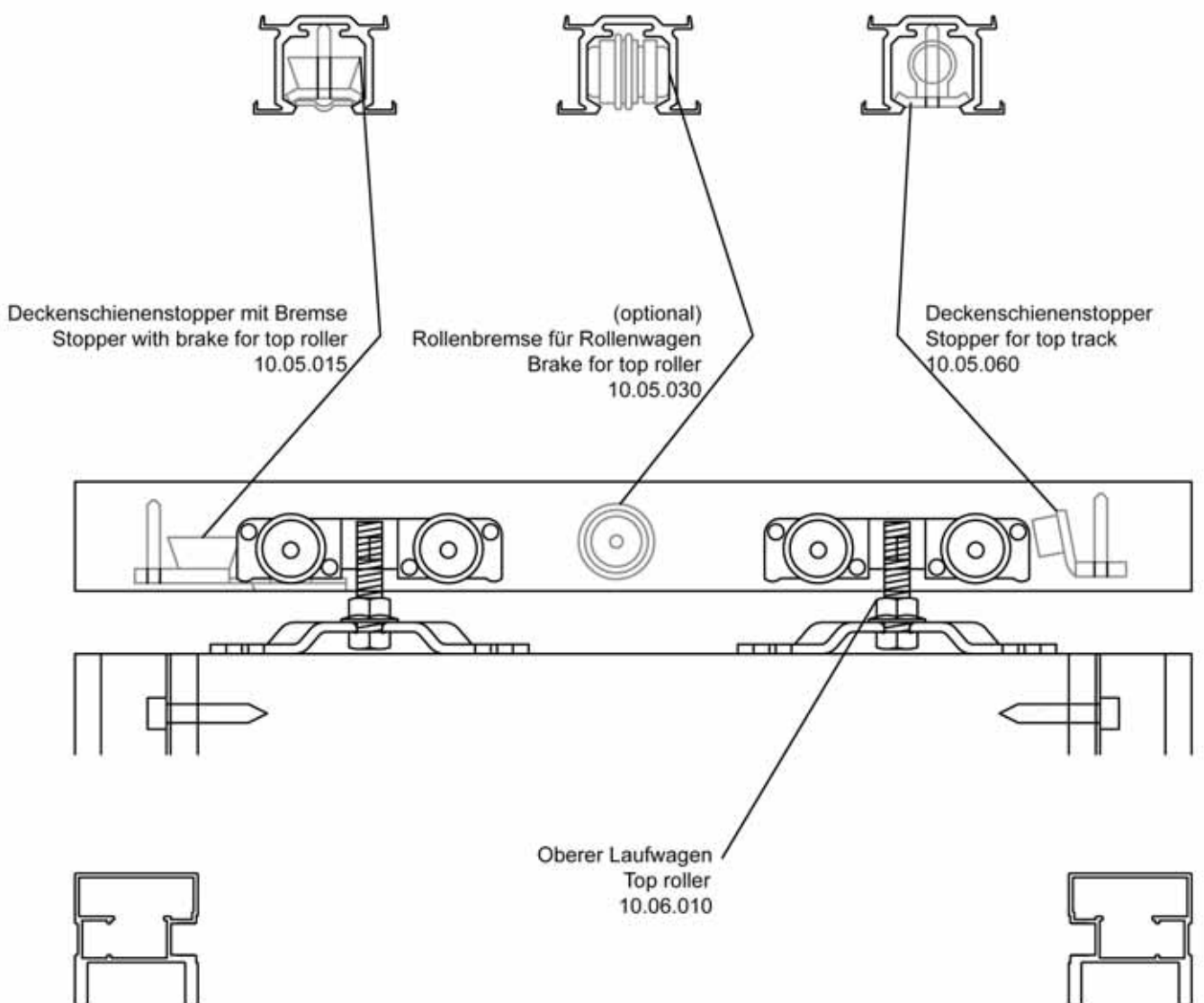
5_Repeat the same procedure for the second top roller.

For alignment / adjustment the door has to be reinstalled. In case you see that the door is not aligned, you have to reinstall it and adjust / align it. Finally cover the punch / drill holes with cover plugs.

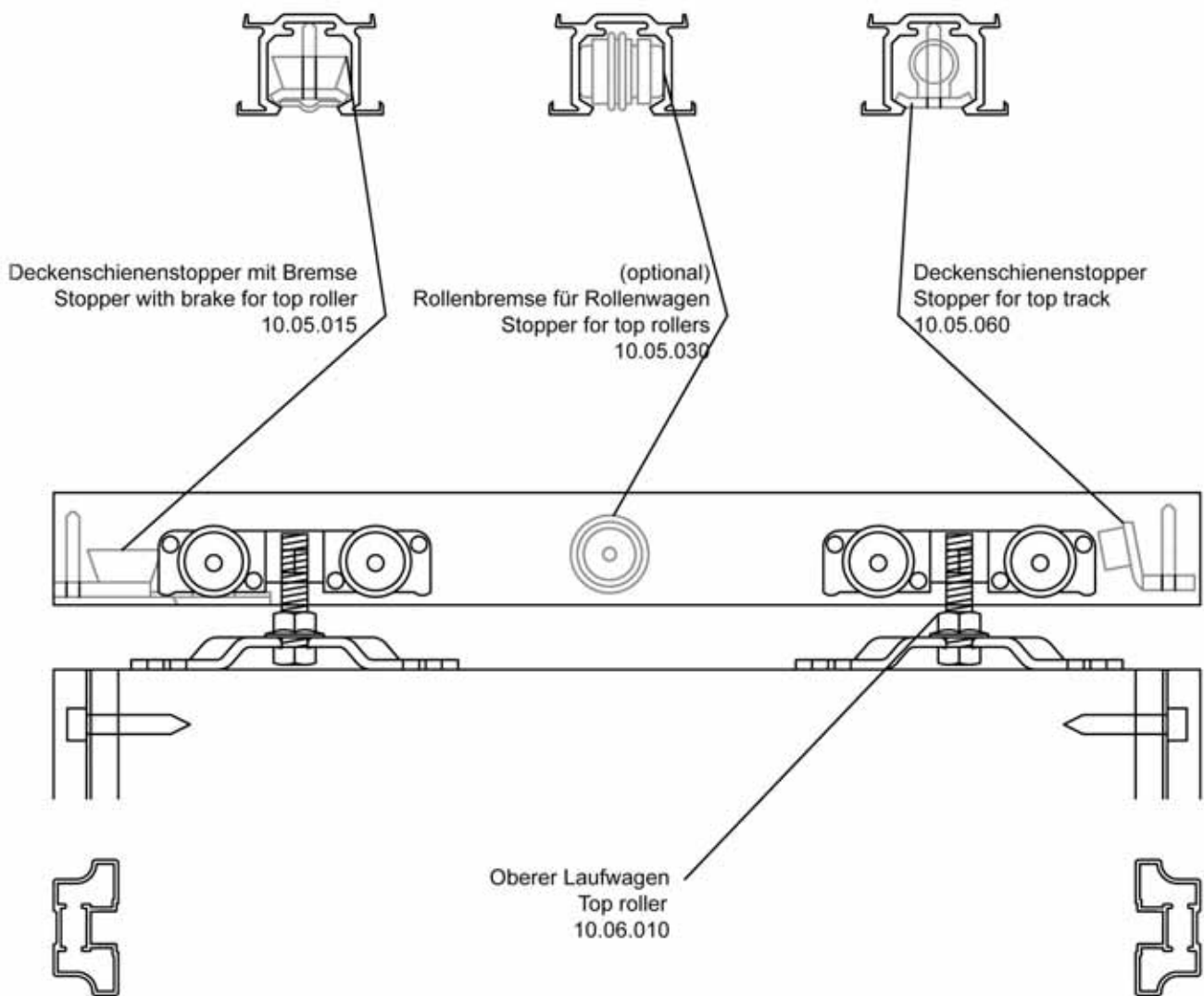
_DETAIL DRAWING



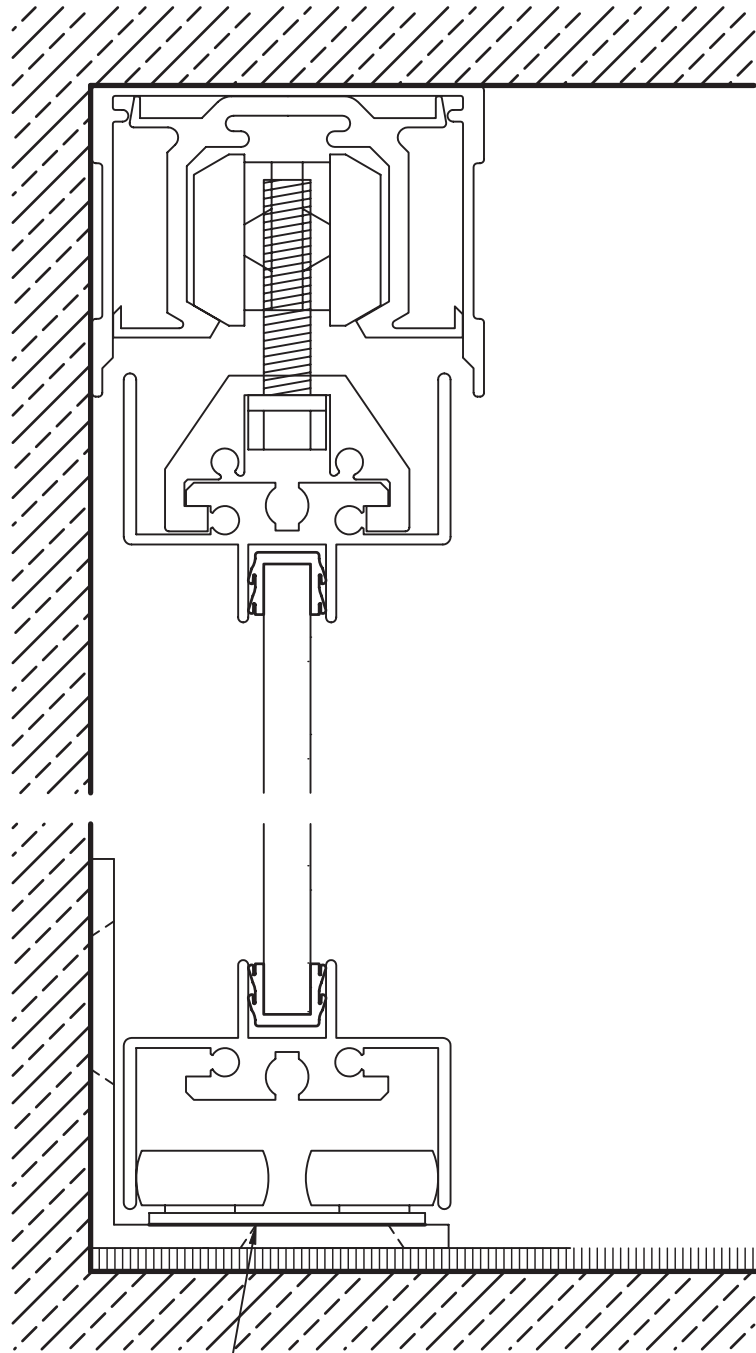
_DETAIL DRAWING SERIES 3000



_DETAIL DRAWING SERIES 1500



_DETAIL DRAWING



Wall connector for groundplate with rollers
10.05.022