



EXACT FINISH, INC.

1231 Shields Road  
Kernersville, NC 27284  
Tel 1 800 668 7080  
Fax 1 336 992 2464  
[www.exactfinishinc.com](http://www.exactfinishinc.com)



***SWING PIVOT DOOR***

## INTRODUCING »SWING« PIVOT DOOR BY EFI



1\_

We would like to introduce you to »SWING« by **EFI**. You know us as a leading provider of sliding doors, room dividers and fixed partitions, and now we offer a complement to our existing line, a pivot door.

»SWING«, an elegant pivot door can be custom sized to your specifications, just like our sliding door systems. In addition to the operation of the door and the beauty of the matte aluminum frame, the most significant visual impact is from the selection of the panel material. Panel materials can be specified from our line or chose a custom panel. Create, have fun, enjoy the possibilities!

**1\_ Aluminum door and aluminum jamb\_** with 10 mm (3/8") oak veneer panel. Alternatively here also further Holzdekore or other materials can be used.

**2\_ Hardware\_** bottom pivot hinge with adjustment screw

**3\_ Door handle\_** available with or without lock



2\_



3\_

**4\_ Aluminum door and aluminum jamb\_**  
in alternative execution: here with 8 mm  
( $\frac{5}{16}$ " ) black safety glass

*That's how simple it is to create a custom  
look to complement your design aesthetic.*

**Metrics:**

*Maximum door height:*

*2,500 mm (8' 2  $\frac{3}{8}$ " )*

*Maximum door width:*

*1,000 mm (3' - 3  $\frac{3}{8}$ " )*

*Maximum door weight:*

*Up to 50 kg (110 pounds)*

*Panels: A wide selection of panels  
in glass, wood or other materials is  
available. Please contact us for details.*

*Jamb: For wall thicknesses  
90 - 180 mm (3  $\frac{1}{2}$ " to 7  $\frac{1}{16}$ " )*



4\_

**THE BEAUTY IS IN THE DETAILS ...**





2\_



3\_

*The details that are visible and the details that are concealed are equally important. The »SWING« matte aluminum frame matches our sliding and fixed panel systems. The aluminum lever has a distinctive modern appearance, but most importantly it feels wonderful in your hand and operates smoothly. The door swings by the mechanism of two lightly scaled pivot hinges mounted to the top of the door frame and the floor. Consistent with our philosophy of flexibility and customization the jamb adjusts to wall thickness between 90 – 180 mm (3 1/2" – 7 1/16"). The pivot hinges support a maximum weight of 50 kg (110 pounds). Combined with the panel material of your choice the result is a complement to any living or work space.*

**1\_ Bathroom\_** Aluminum door with 8 mm (5/16") glass, is suitable for rooms with high humidity or proximity to water.

**2\_ Bottom pivot hinge\_** The simple hinge can be anchored to any floor such as tile shown.

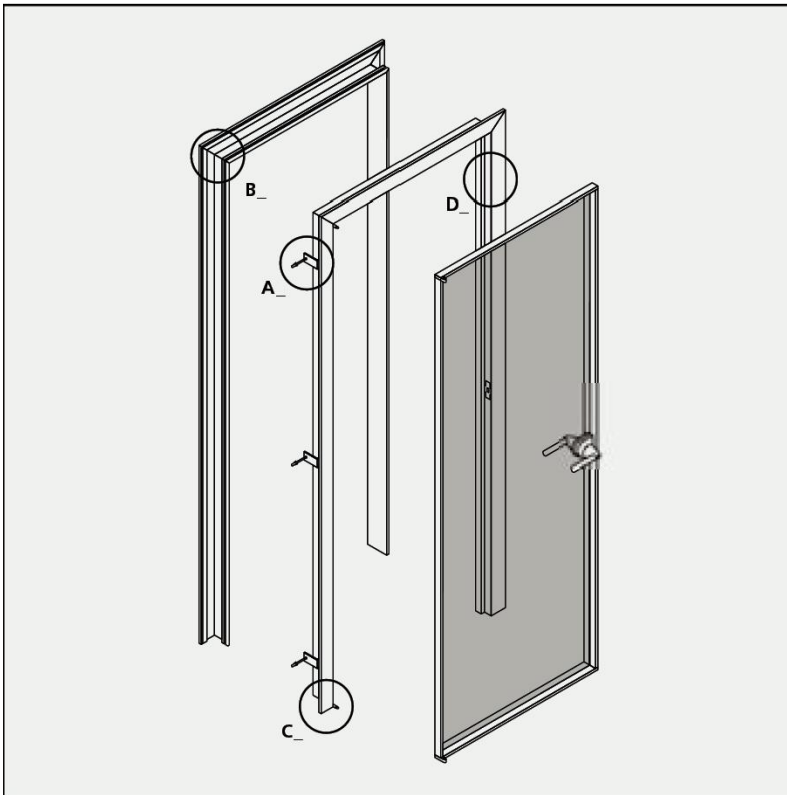
**3\_ Door handle\_** The adapter plate sits flush against the aluminum door frame. Plate and handle are also made out of aluminum with a grip-friendly texture.

**4\_ Privacy lock\_** The deadbolt has been designed as inconspicuously as possible

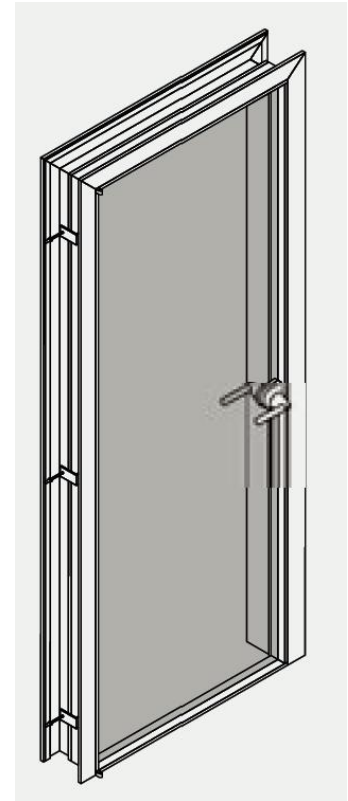


4\_

## TECHNOLOGY AND ASSEMBLY



1\_

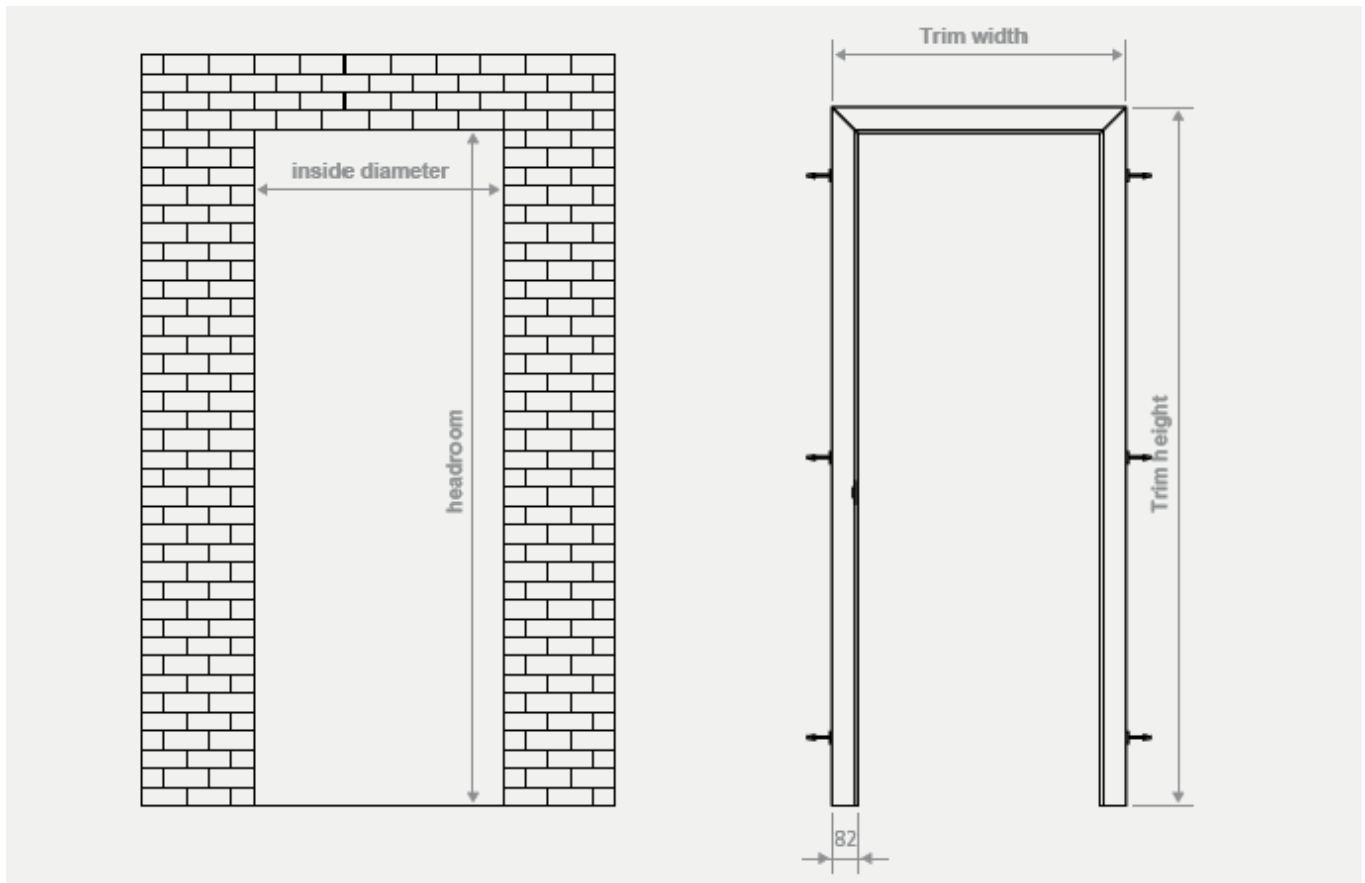


2\_

*As stated above, you are able to freely choose the panels of the door, and the dimensions. »SWING« follows our modern system philosophy, according to which rooms, just like people, have to be considered as individuals. Correspondingly doors just as much as room dividers, closets and other furniture should adapt to the situation in the room.*

*Doors with tall proportions create an elegant and stylish impression in rooms with corresponding ceiling height. The standard dimensions for traditional room doors are around 2,000 mm (6' – 7") – with up 2,500 mm (8' – 2"), »SWING« makes it possible to have a special presentation in format and décor.*

*Our experienced team can advise you if you have any questions and will discuss the options for an optimal application with you.*



3\_

**1\_ The construction of an aluminum door and aluminum jamb\_** the adjustable jambs of the aluminum frame are available in three thicknesses:

for wall widths from 90 mm to 120 mm  
(3 1/8" to 4 3/4")

for wall widths from 120 mm to 150 mm  
(4 3/4" to 5 7/8")

for wall widths from 150 mm to 180 mm  
(5 7/8" to 7 1/16")

Details:

**A\_** Wall attachment

**B\_** Corner connector

**C\_** Floor attachment of frame with pivot hinge

**D\_** Jamb gaskets

**2\_ Aluminum door and aluminum jamb installed\_**

**3\_ Installation dimensions\_** Wall opening,

Overall assembly dimensions:

Width = opening width + 80 mm (3 1/8")

Height = opening + 40 mm (1 9/16")

Door dimensions:

Width of door = Overall dimension - 145 mm  
(5 11/16")

Height of door = Overall dimension - 81 mm  
(3 3/16")

Panel material dimensions:

Width of panel = width of door - 16 mm  
(5/8")

Height of panel = height of door - 16 mm  
(5/8")

Next page:

**1\_ Customized Panel\_** photo motif,  
auf Anfrage





1\_

*Our experienced team can advise you on the design and specification of »SWING«. Please visit our website [www.raumplus.de](http://www.raumplus.de) to locate a dealer near you.*

*If you would like to receive additional information about our overall selection of sliding doors and room partitions, please contact us and request a »Home« or »Office« brochure.*