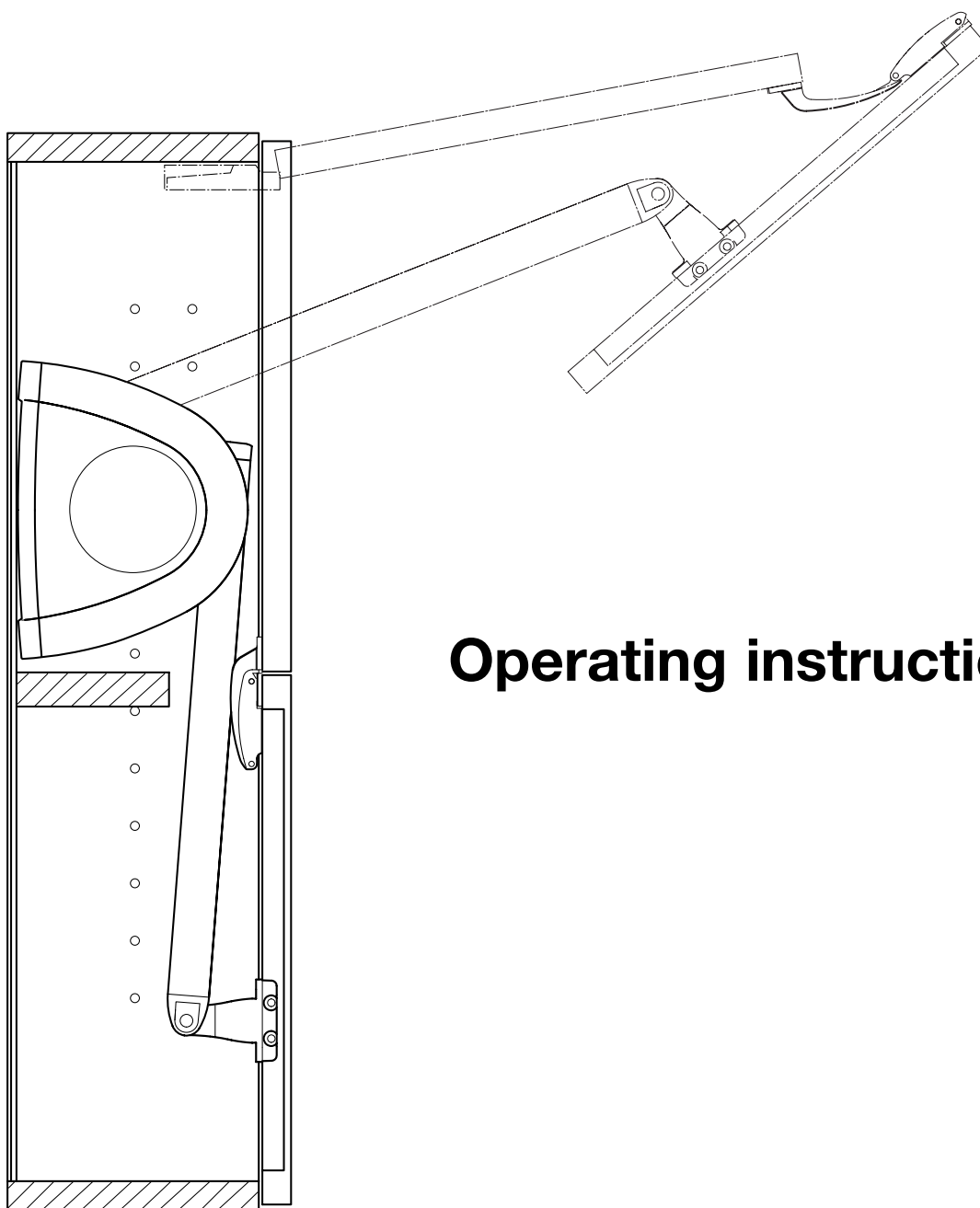


# huwilift-senso



## Operating instructions

## Foreword

### Dear Customer,

By choosing the huwilift-senso, you have opted for a fitting solution that is technically very advanced and mechanically very efficient. Your huwilift-senso is manufactured on our premises with extreme care and precision and is going through numerous quality and safety checks in order to ensure that it operates smoothly and safely. But you yourself can also make an important contribution towards ensuring that you remain happy with your huwilift-senso for a long time.

### 1. IMPORTANT SAFETY NOTICE

**The installation must be carried out in accordance with the assembly instructions; otherwise there is a risk of injury.**

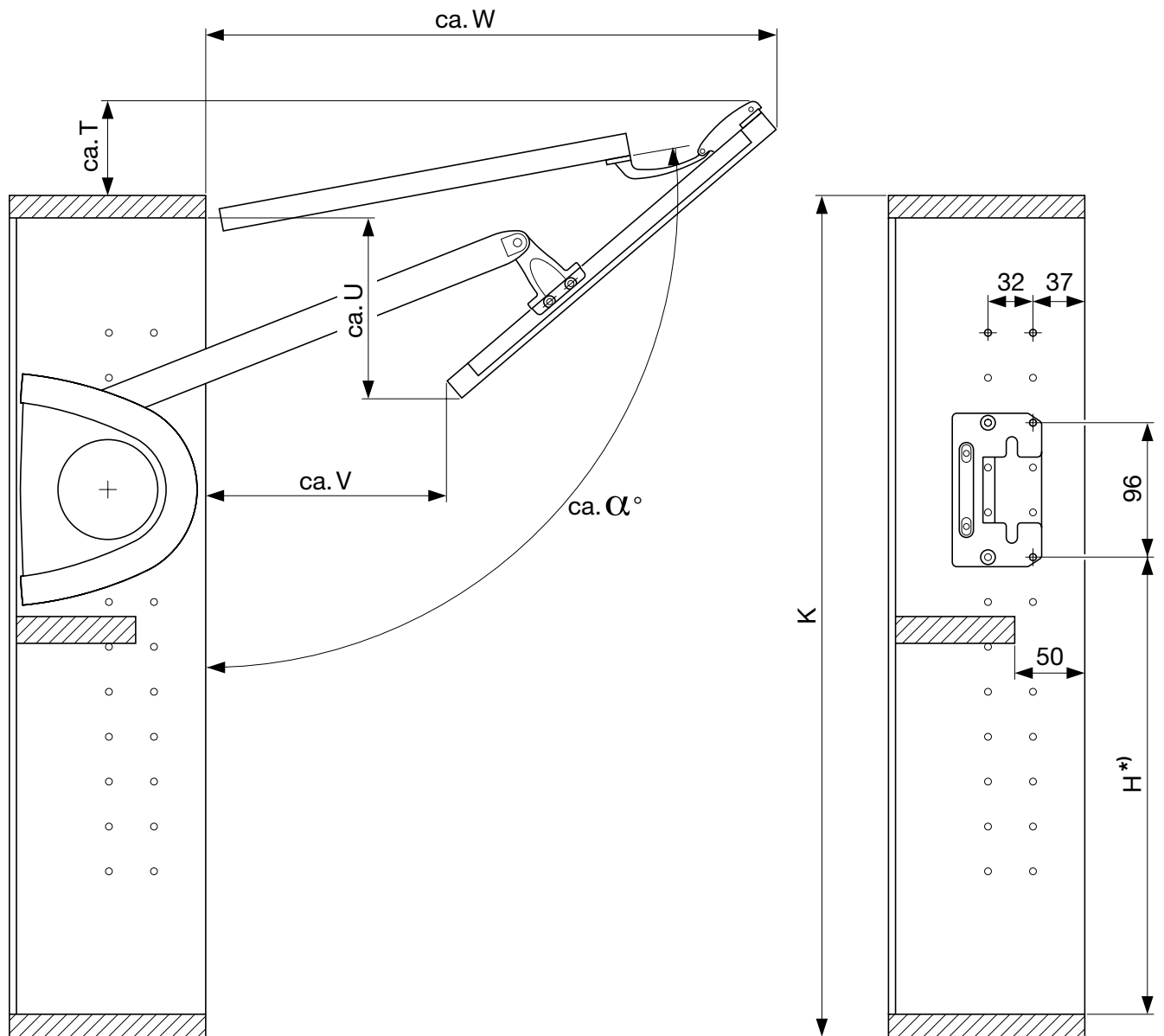
2. The present huwilift-senso is only suitable for the intended use as a folding lid support for living room, bath, kitchen and office furniture according to the weight printed on the fitting. Any use that falls outside this is regarded as not being an agreed use. The manufacturer is not responsible for any losses or damage resulting from such use. The risks associated with this are borne by the operator alone.
3. The observance of the operating instructions as prescribed by the manufacturer also form part of the agreed use.
4. Also take into account the general legal and miscellaneous regulations and legal provisions that are applicable – even those that apply in the operator's country – as well as the applicable environmental protection regulations. The regulations of the trade associations or other supervisory authorities that are in force locally must always be observed.
5. The manufacturer cannot be held responsible for any losses or damage resulting from unauthorised modifications to the huwilift-senso.

### IMPORTANT SAFETY NOTICE

**The metal frame and the used gas suspension resp. damping elements of the fixture must not be opened under any circumstances, as the internal components are under a lot of tension and there is a risk of injury.**

Provided the above guidelines are adhered to, you will enjoy many years of satisfaction from your huwilift-senso. For any further enquiries please do not hesitate to contact us.





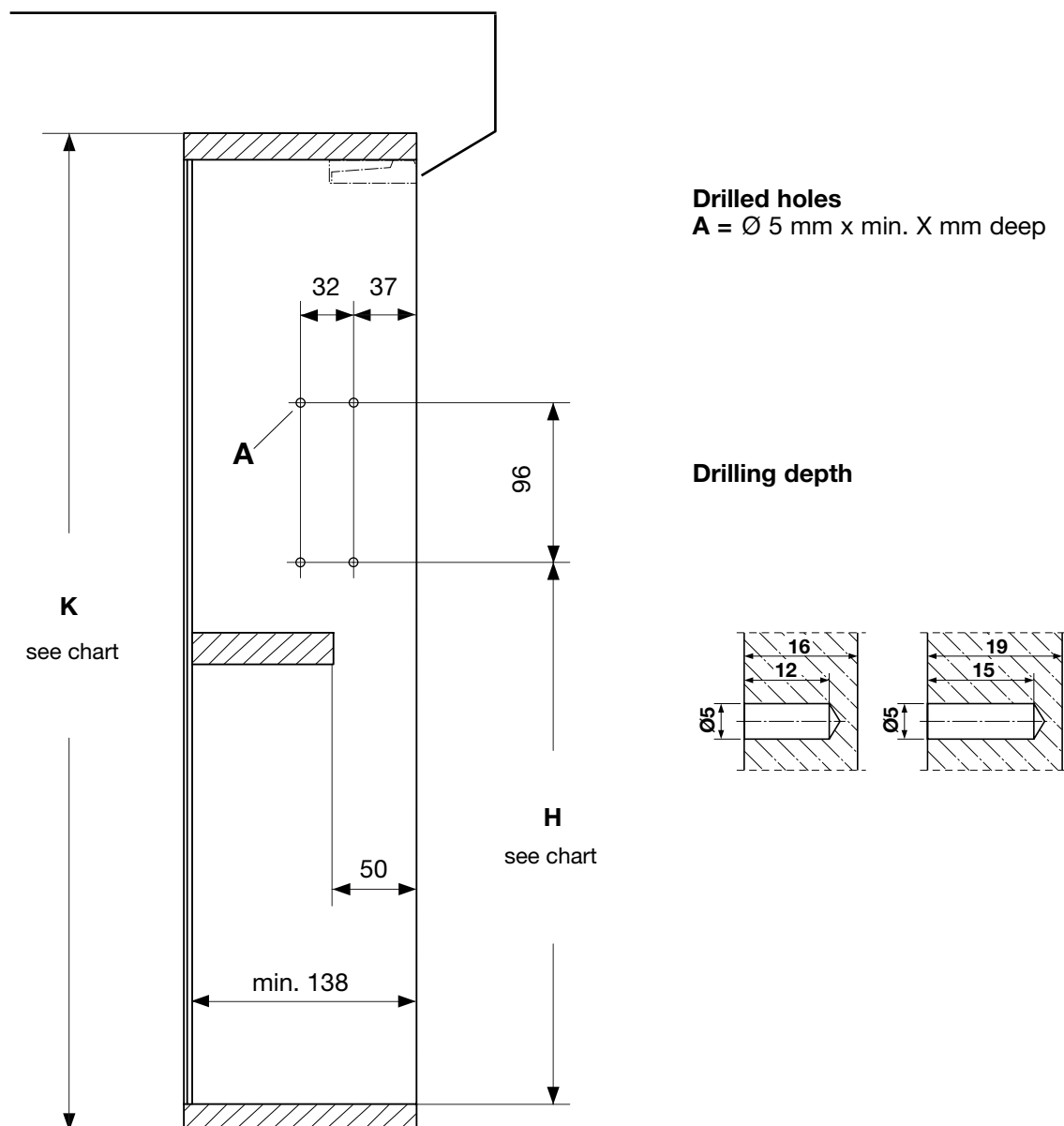
Cabinet Height [ mm ]	[ mm ]								
	$\alpha$ [ ° ]	D	H	K	R	T	U	V	W
520 *)	100°	36	250	520	42	50	120	165	370
550	105°	57.5	290	550	63.5	70	115	170	380
600	100°	73.5	326	600	79.5	70	130	170	405
650	110°	67.5	340	650	73.5	150	170	260	375
720	105°	75.5	378	720	81.5	125	160	225	455
800	100°	71.5	392	800	77.5	95	215	240	500

\*) = Special size

Drill holes for the huwilift-senso frame in accordance with the drilling diagram.

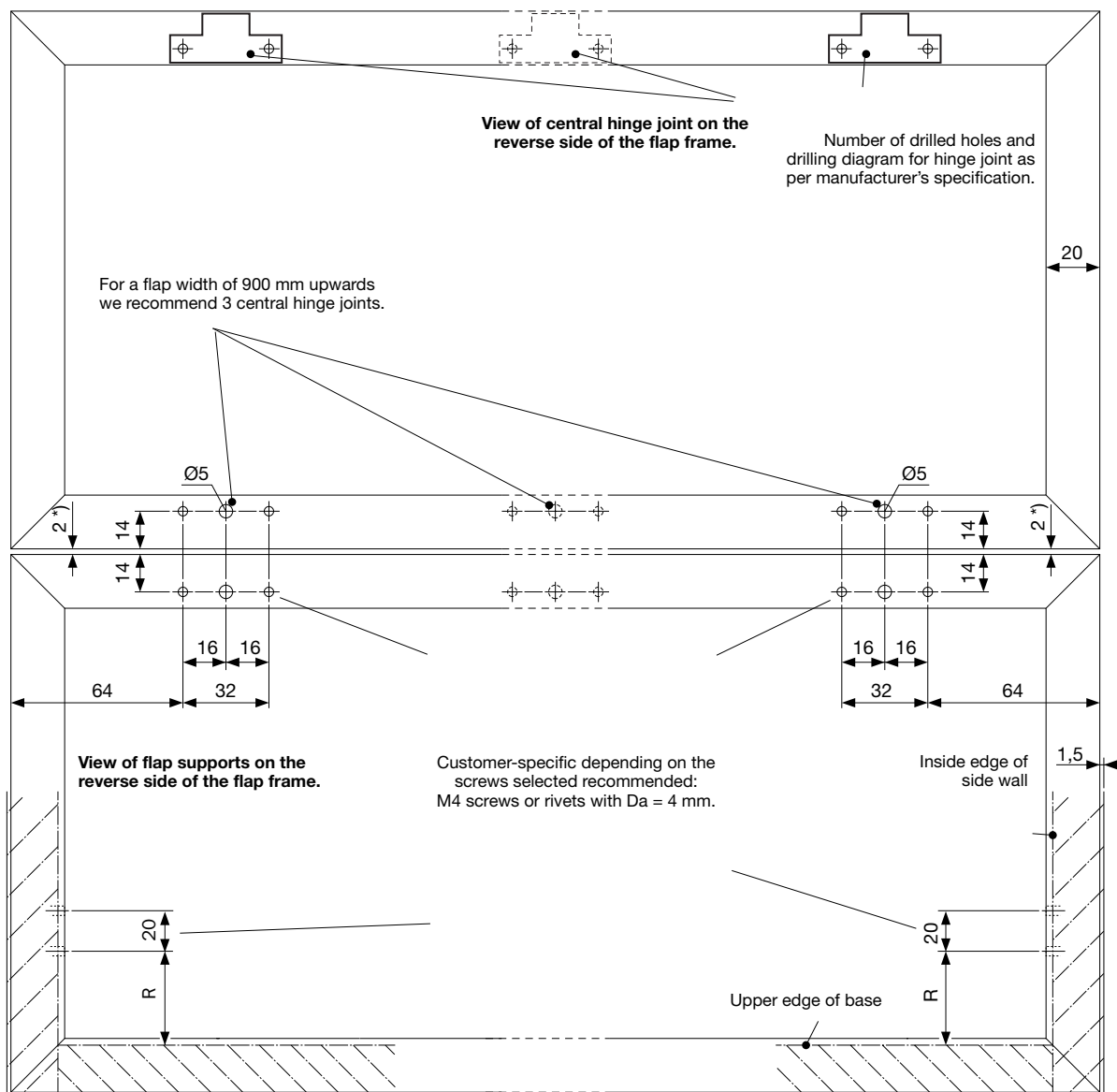
View of right carcasse inner side. (left side symmetrical)

( Hinge with a minimum opening angle of  $110^\circ$  in accordance with the manufacturer's specifications )

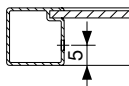


**Drill holes for the cabinet flap which comes in 2 parts in accordance with the drilling diagram.**

**Design for 20 mm aluminium frame profile.**



\*) = in case of adjustable central hinge joints 2-4 mm



**Advice:**

Drill holes in the flap frame. Dimensions from the upper edge of the base or the inside edge of the side wall.

