



1231 Shields Road  
Kernersville, NC 27284  
Tel 800 668 7080  
Fax 336 992 2464  
www.exactfinishinc.com

## Huwilift - second generation



# Huwilift Senso

### ✓ **Second generation of Huwilifts**

- Particularly smooth operation
- Added benefits through modular principle
- Shorter delivery times
- User friendly
- Sophisticated look

### ✓ **Soft and safe closing of the door**

- Integrated damping system
- Smooth operating and ergonomic sequence motions
- Pinch guard through central hinge joint

### ✓ **Expanded possibilities in furniture design**

- Space saving solution
- Suitable for a wide range of door weights
- Reduced installation depth allows incorporation of the new Huwilifts into living and bathroom furniture as well

### ✓ **Flexibility for furniture user**

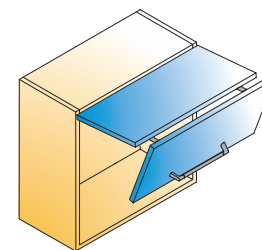
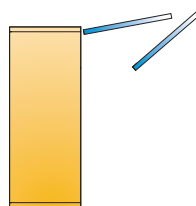
- Secure support of the door in any position
- The end user can adjust the door to his individual operating height
- Three-dimensional door alignment possible after installation
- more space in furniture with a compact design

### ✓ **Mounting friendly**

- Simple adaptation to different door weights
- Time-saving installation and adjustment procedure



# Huwilift Senso



**Huwilift Senso  
Set**



**Senso mechanism**

<b>H</b>	<b>W</b>	<b>Item number</b>	
550 (540-580)	Cabinet height	Door weight	
		3,0-6,5	<b>03.3674.003.001</b>
		6,0-12,0	<b>03.3674.003.002</b>
		9,0-18,0	<b>03.3674.003.003</b>
600 (580-640)		12,0-24,5	<b>03.3674.003.004</b>
		3,0-6,0	<b>03.3674.001.001</b>
		6,0-11,0	<b>03.3674.001.002</b>
		9,0-17,0	<b>03.3674.001.003</b>
650 (640-700)		12,0-23,0	<b>03.3674.001.004</b>
		3,0-5,5	<b>03.3674.005.001</b>
		5,5-10,0	<b>03.3674.005.002</b>
		8,0-16,0	<b>03.3674.005.003</b>
720 (700-780)		10,5-21,5	<b>03.3674.005.004</b>
		3,5-5,5	<b>03.3674.002.001</b>
		5,0-9,0	<b>03.3674.002.002</b>
		7,0-15,0	<b>03.3674.002.003</b>
800 (780-840)		9,0-20,0	<b>03.3674.002.004</b>
		5,0-9,0	<b>03.3674.004.002</b>
		7,0-13,0	<b>03.3674.004.003</b>
		9,0-17,0	<b>03.3674.004.004</b>
865 (840-900)		5,0-12,0	<b>03.3674.006.003</b>
		7,5-16,0	<b>03.3674.006.004</b>

How to choose the right product?

→ see pages 3.3-3.5

**One set consists of:**

- 2 pcs Senso mechanism + housing cover
- 2 pcs Base fixing plate
- 2 flap supports for wooden door/wide alu-frame door
- 4 pcs screws M5 x 16

 10 Sets

Made of steel and plastic

**Accessories included**



**Base fixing plate**  
Made of zinc



**Flap support**  
Made of plastic

**Accessories as per order**

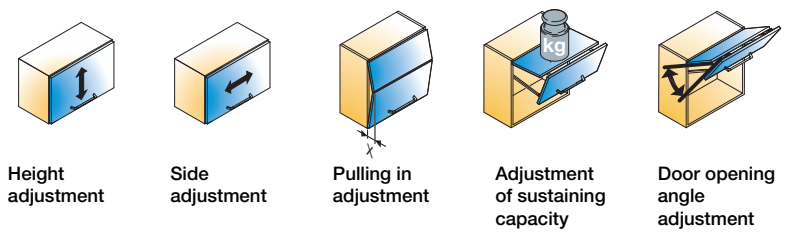


· Flap support with oblong-hole for 20 mm aluminium frame profile  
**04.3674.050.002**



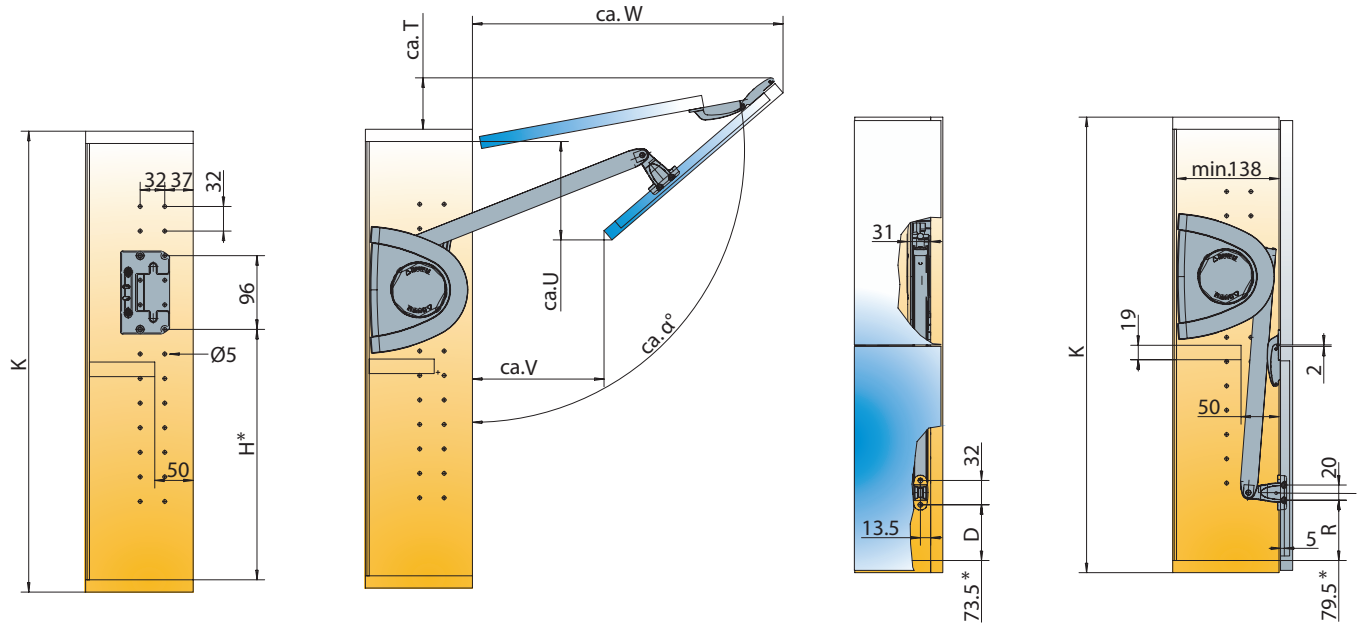
· Adapter for 20 mm aluminium frame profile  
**04.3674.061.001** (nickel plated)  
**04.3674.061.002** (pearl chrome plated)

- one system for a large variety of door weights
- for door heights from 450mm to 900mm
- adjustable end-stop
- pinch guard through central hinge joint
- non-handed
- to be used with 110° or 125° concealed hinge
- furniture fronts without handles are possible
- unequal door heights possible, 2/3 top and 1/3 bottom



For further explanations → see pages 3.6 - 3.10

Mounting details



For wooden door For alu-frame door  
 \* Fitting and fixing brackets can be positioned upwards/downwards but in same mm steps

Mounting table

K	α	D	H	R	T	U	V	W
550	105°	57.5	290	63.5	70	115	170	380
600	100°	73.5	326	79.5	70	130	170	405
650	110°	67.5	340	73.5	150	170	260	375
720	105°	75.5	378	81.5	125	160	225	455
800	100°	71.5	392	77.5	95	215	240	500
865	102°	47.5	400	53.5	120	260	310	530

For further explanations → see operating instructions that are included in a set

Middle hinges

- |                |                 |                 |                 |
|----------------|-----------------|-----------------|-----------------|
|                | With pin        | Without pin     |                 |
| Non adjustable | 03.3495.014.001 | 03.3495.012.001 | euro screws     |
|                | 03.3495.011.001 | 03.3495.013.001 | flat-head screw |



Adjustable



- |  |                 |                 |
|--|-----------------|-----------------|
|  | 03.3495.015.001 | euro-screw      |
|  | 03.3495.016.001 | flat-head screw |

Top hinges

· We recommend regular 110° hinges  
 → see chapter 2 - Concealed hinges