

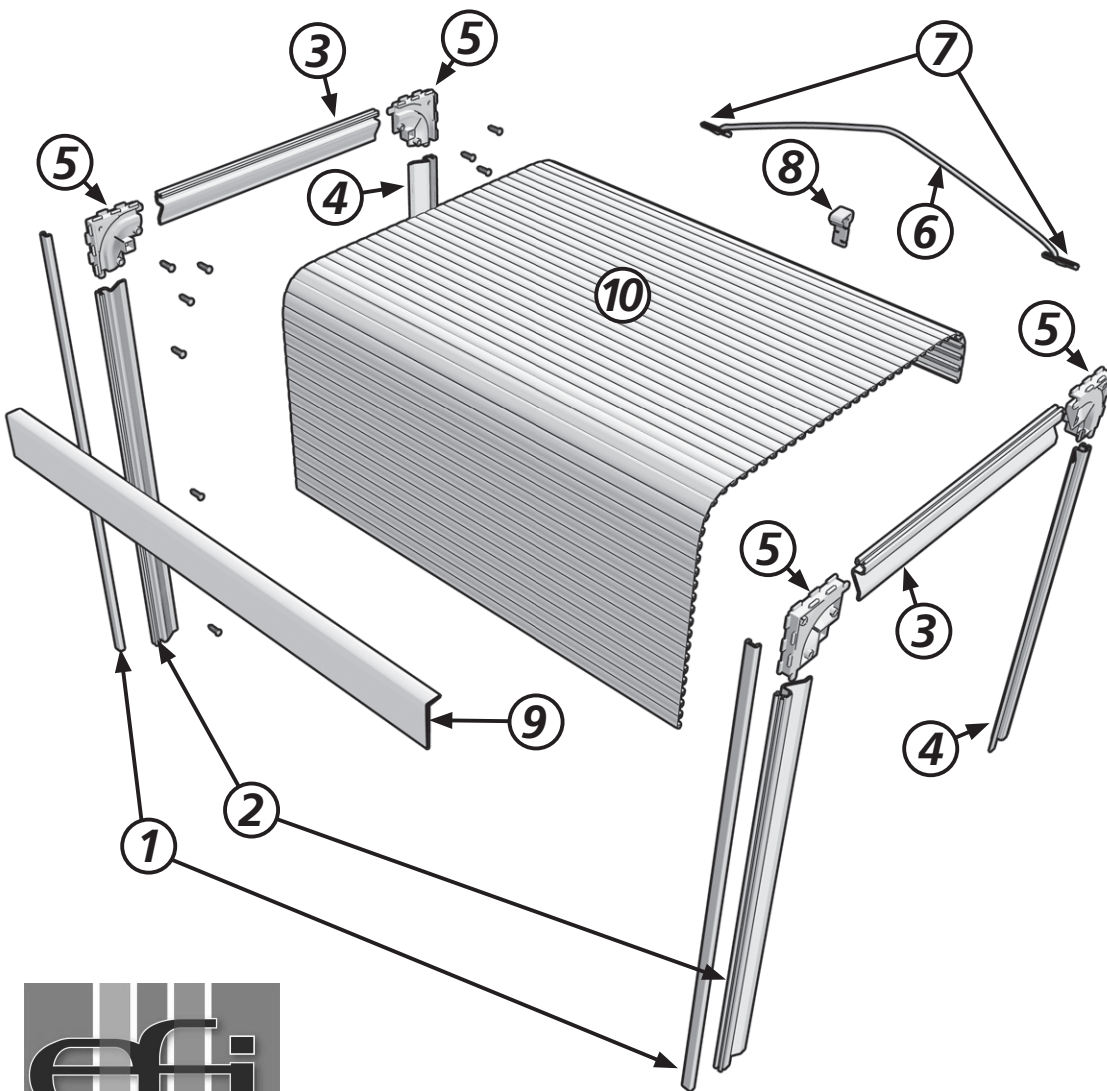


# C6 Inset

## Vertical Tambour

### Installation Instructions

#### Exploded View



#### Parts List:

- 1 - Track cover (2)
- 2 - Inset track, front (2)
- 3 - Inset track, top (2)
- 4 - Inset track, back (2)
- 5 - Corner Guide (4)
- 6 - Bungie cord (1)
- 7 - Bungie anchor (L & R)
- 8 - Bungie hook (1)
- 9 - Valence (1)
- 10 - Tambour carpet (1)
- #6 x 5/8" screws (25)
- #2 x 1/4" Pan head screws (5)

#### Tools Needed:

- Power drill
- Tape Measure
- Phillips driver #2 bit
- Side cutters
- Soft mallet



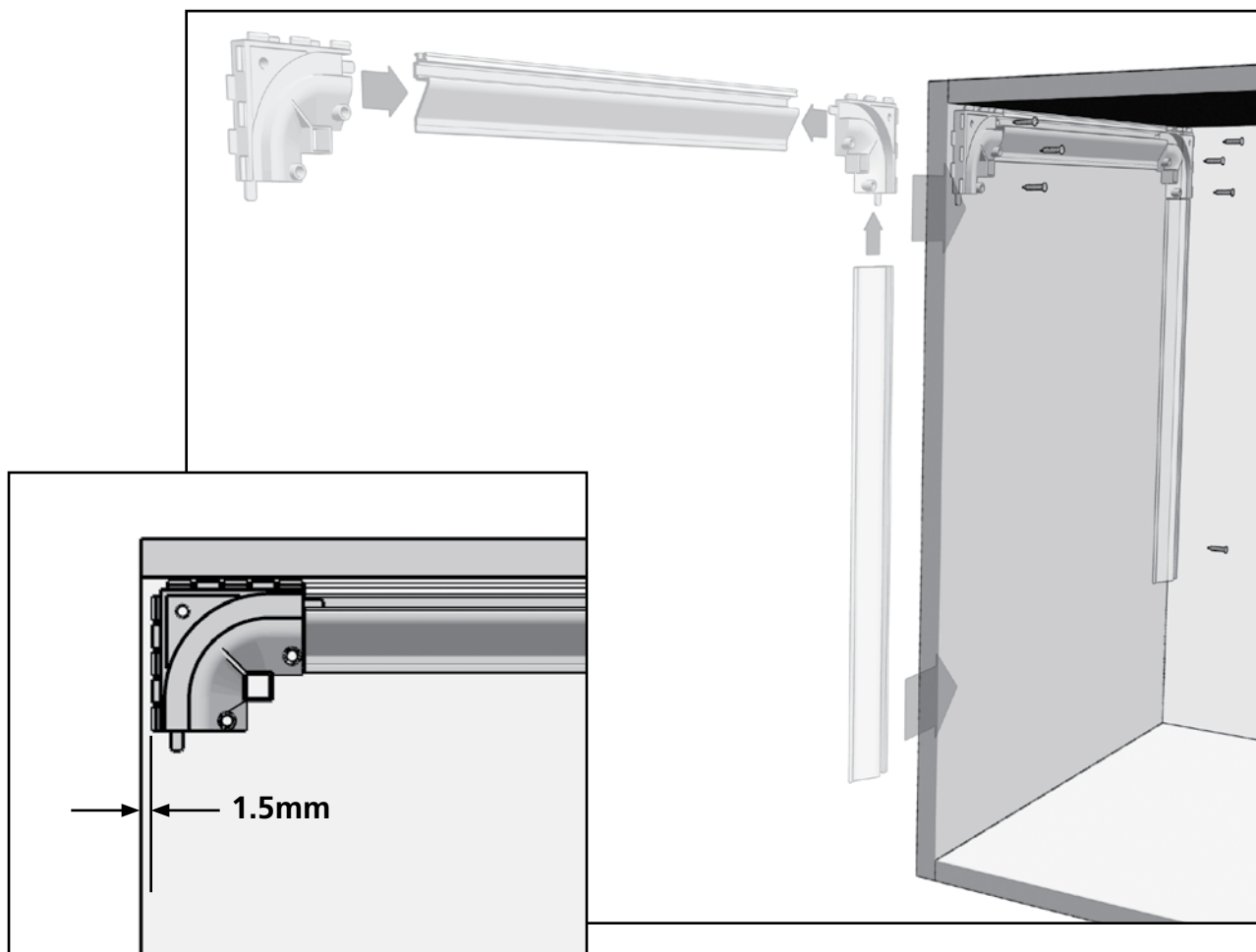
#### EXACT FINISH, INC.

1231 Shields Road  
 Kernersville, NC 27284 USA  
 1.800.668.7080 • 336.992.2464 FAX  
[www.exactfinishinc.com](http://www.exactfinishinc.com)

## 1 Assemble and Install Track

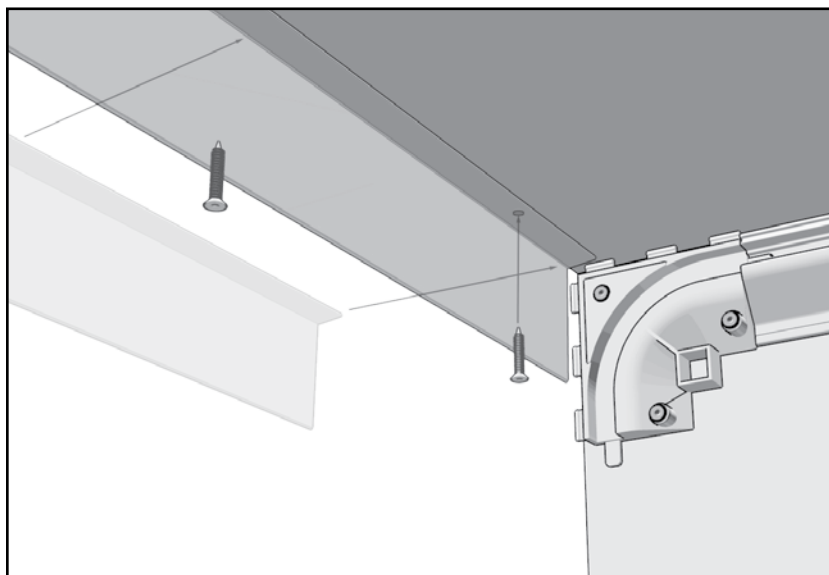
Assemble and insert the track assembly into the cabinet opening, 1.5mm in from the face of the box, as shown below.

Fasten with #6 x 5/8" flat phillips head screws (included) into the pre-drilled holes in the black 90 corner brackets and one screw at the bottom of the back track.

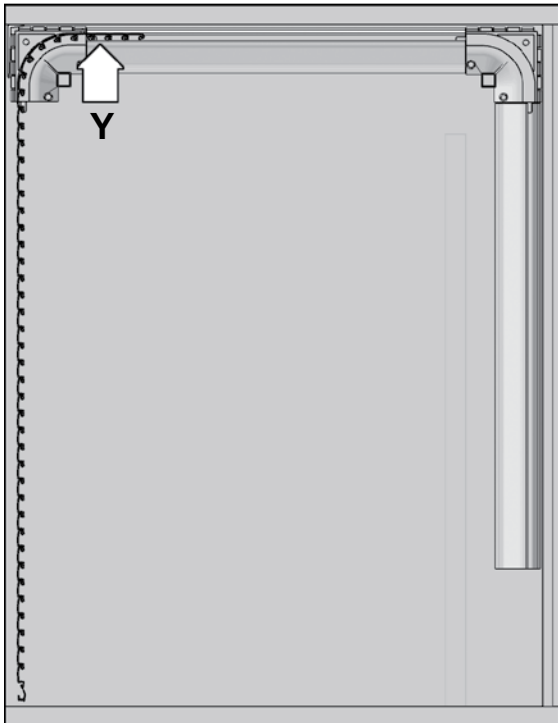


## 2 Install Valence

Insert the valence flush with the top of the case and allow each end 12.5mm. Fasten with #6 x 5/8" flat phillips head screws (included) into the pre-drilled holes in the valence.

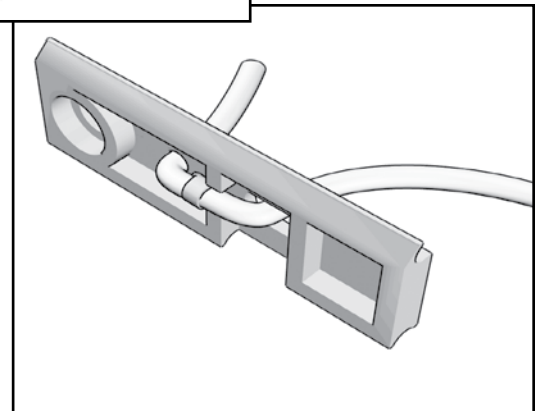
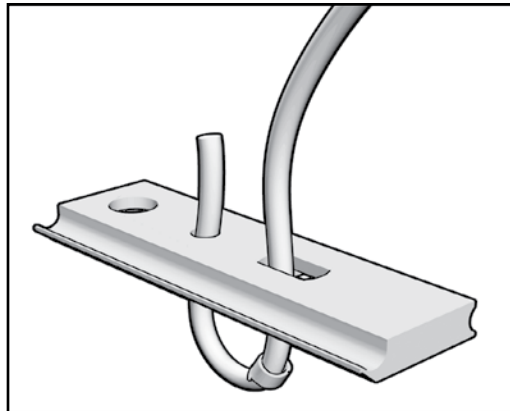


### 3 Prepare Carpet

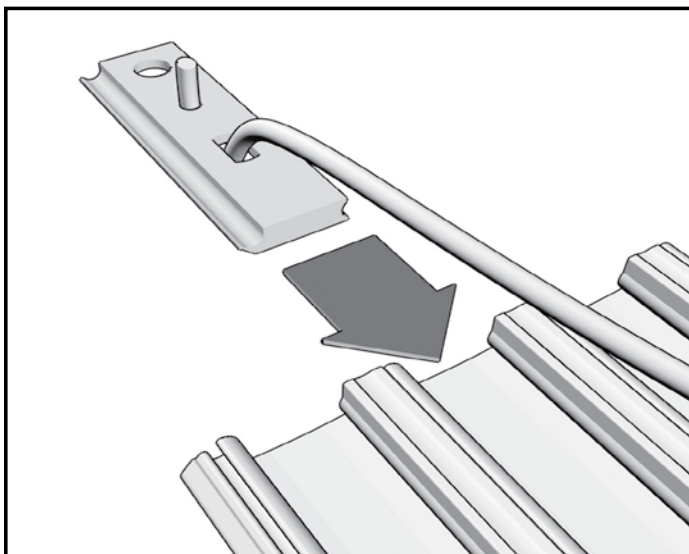


Determine which tambour slat (Y) to attach the rubber cord to—first slat outside the 90 degree corner track piece.

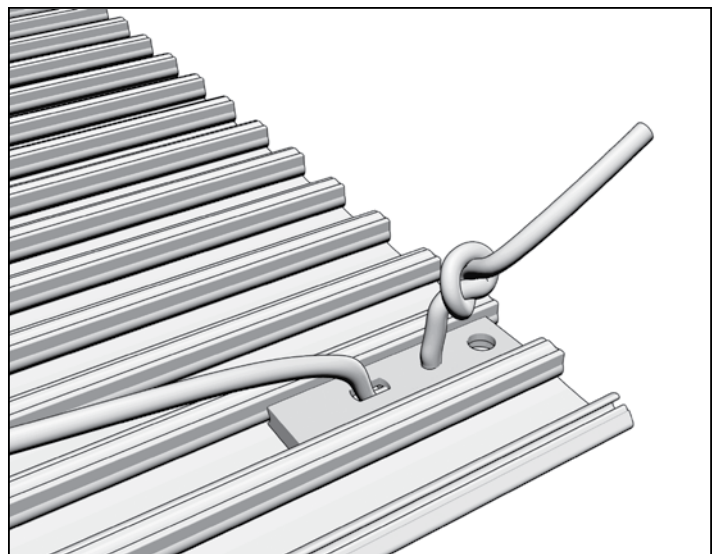
Insert the rubber cord as shown.



Insert the anchors in each side of the tambour carpet as shown.

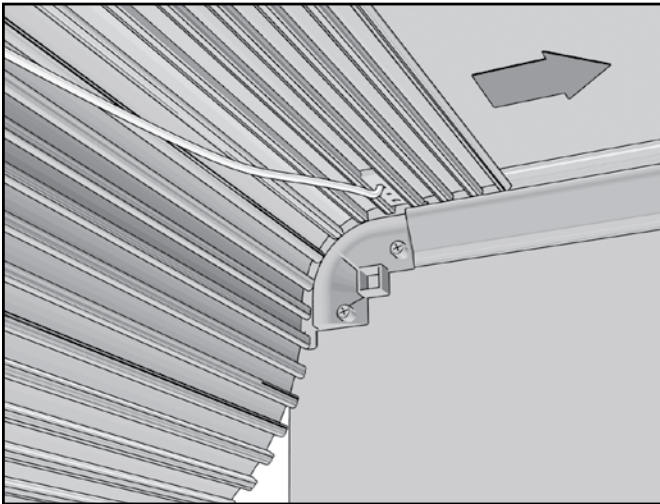


Temporarily secure the cord with a knot when adjusting the tension on the door in the open and closed position.

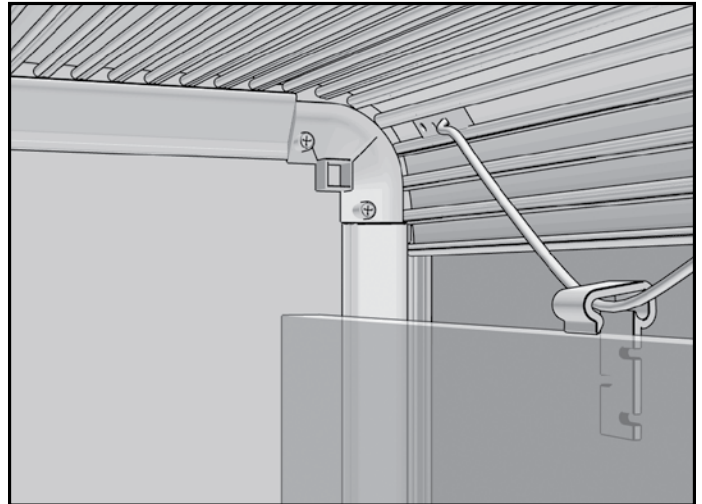


## 4 Insert Carpet

Push tambour door into the running track. With the door half open attach the rubber cord to the hook.



Attach the hook to the middle of the back wall with three of the screws (included).



## 5 Check Tension

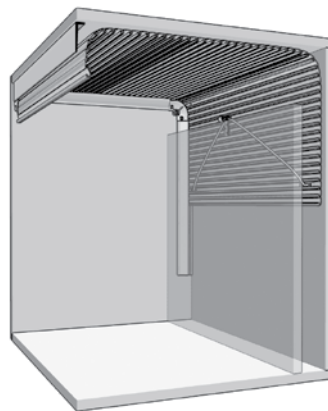
Testing is required to determine the best tension for the rubber cord.

Test the tambour door in fully open and fully closed positions.

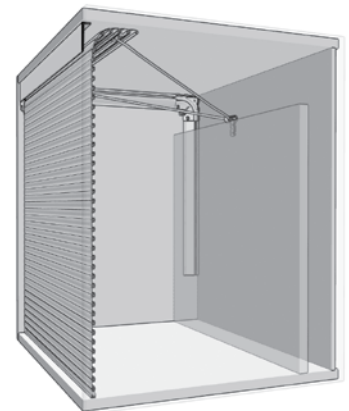
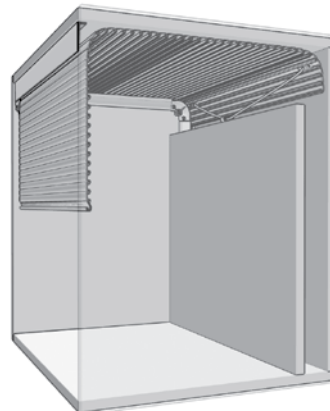
Mark the final position of the cord at the anchor.

Crimp the sleeve on the cord behind the anchor and cut off any excess cord.

For cabinets that are over 700mm tall, additional slats can be added to the back for weight distribution.



Cabinet in open position



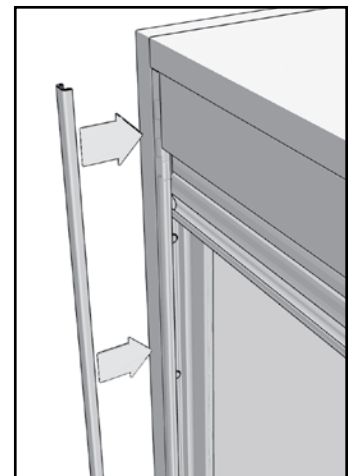
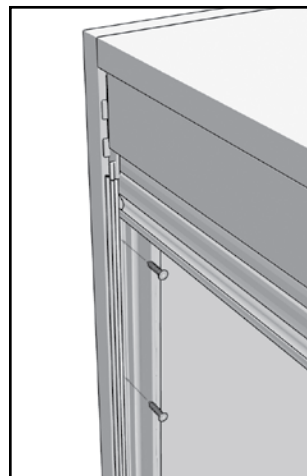
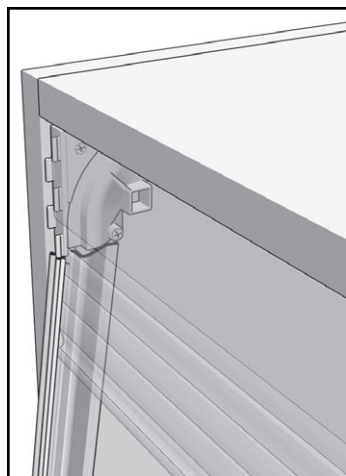
Cabinet in closed position

## 6 Install Front Track and Cover

Install the front insert track over the carpet and slide up and back 1.5mm from front edge.

Fasten with #6 x 5/8" flat phillips head screws (included) into the inside edge of track.

After testing the tambour movement attach the track covers by popping them into place with soft mallet.



Questions? Please call 1-800-668-7080