

Date \_\_\_\_\_



**EXACT FINISH, INC.**  
1231 Shields Road  
Kernersville, NC 27284  
336.992.2303 Fax 336.992.2464

### ALUMINUM FRAME CUSTOM DOOR ORDER FORM

Customer Name: \_\_\_\_\_

Ship To Address: \_\_\_\_\_

Client Contact: \_\_\_\_\_ Phone: \_\_\_\_\_ Fax: \_\_\_\_\_

PO # \_\_\_\_\_ Email \_\_\_\_\_

#### DOOR AND HINGE SPECIFICATIONS

Door Qty:  *A separate sheet should be completed for each door size/type.*

Door dimensions:

WIDTH	<input type="text"/>	MM	HEIGHT	<input type="text"/>	MM
	<input type="text"/>	IN		<input type="text"/>	IN

Hinge Boring Pattern:  Salice/Blum (45/9.5)  
 Other \_\_\_\_\_

Side Panel Thickness:  Overlay:

#### PROFILE OPTION

Aluminum Door Profile Number: \_\_\_\_\_

Finish:  Clear Anodized  Stainless Steel

(Stainless available in 1905,1927,1933,1936, 1910 profile only)

#### GLASS OPTIONS

Glass insert: \_\_\_\_\_

*Doors are shipped with tempered glass and texture facing outward unless specified otherwise.*

Other: \_\_\_\_\_

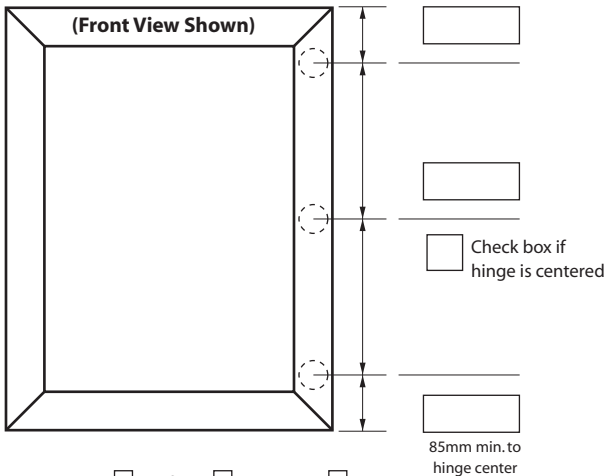
Number of Hinge Locations:  2  3  Other \_\_\_\_\_  
*Hinges sold separately*

*Doors are drilled with a 4mm tab unless otherwise specified*

Distance from edge of profile to center  Handle (CTC)  MM  
 Knob  IN

#### HINGE LOCATIONS

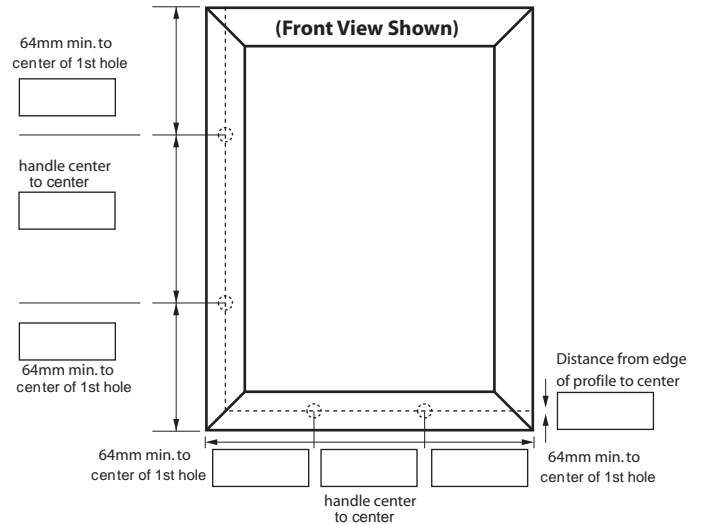
(Front View Shown)



Hinged:  Left  Right  None

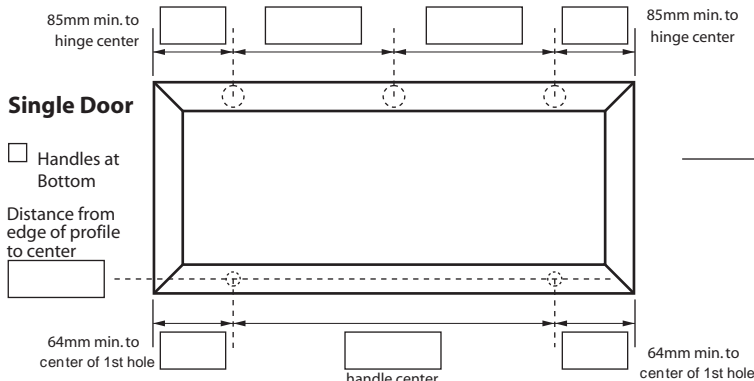
#### HANDLE LOCATIONS

(Front View Shown)



Overlay:  LEFT  RIGHT  TOP  BOTTOM

Lifter Type:  Breeze  Duo  Duo Forte  Maxi  Verso  Strato



**PROCEED WITH ORDER** Requested Delivery Date: \_\_\_\_\_

Order Approved By: \_\_\_\_\_

SIGNATURE REQUIRED

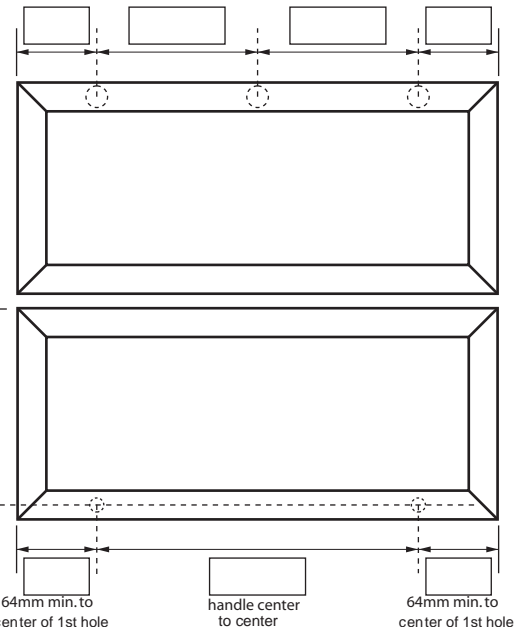
FAX TO: 336.992.2464

#### Vertical Bi-Fold Door

Lifter Type  
 Senso  
 Other

Handles at Bottom

Distance from edge of profile to center



**Order must be signed for approval BEFORE faxing to verify accuracy. Orders not signed will be refused. Custom orders are non-cancelable/non-returnable.**