

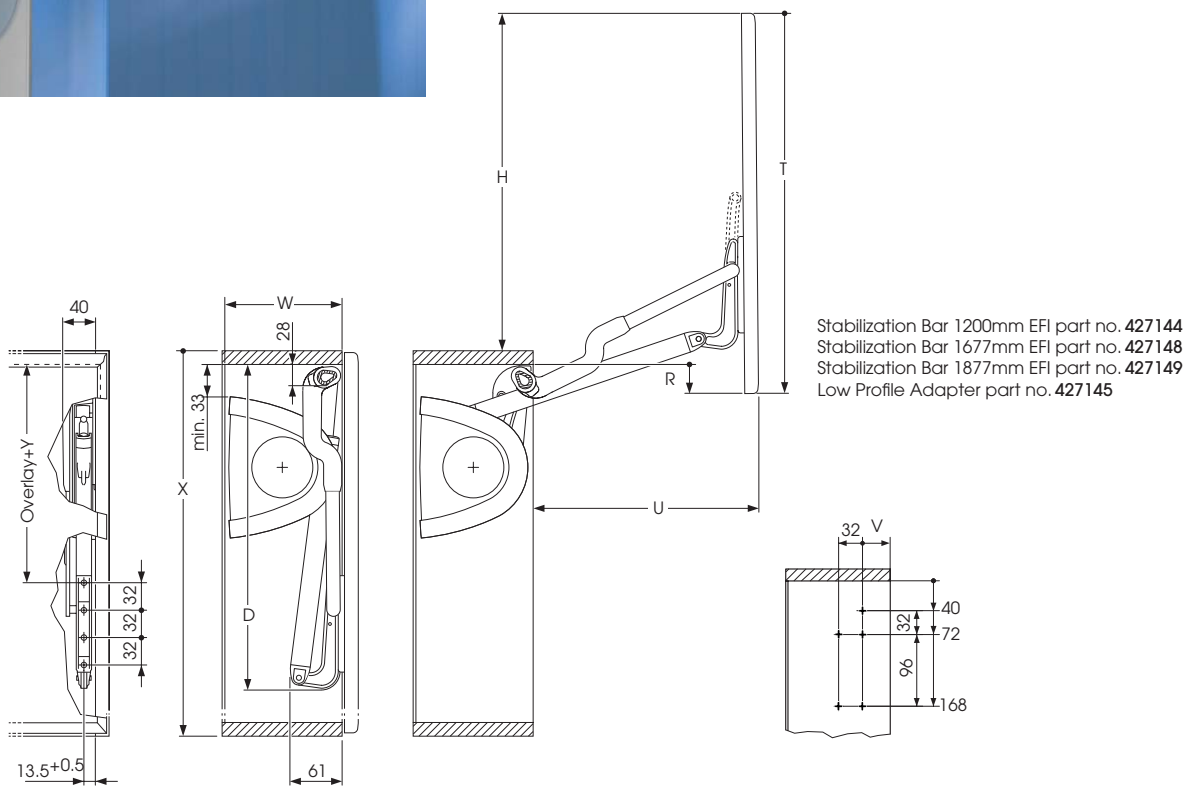
LIFT MECHANISMS

Strato (Slide)



Strato Features

- Integrated damping system
- Space saving solution
- Suitable for a wide range of door weights
- Reduced installation depth allows incorporation into living and bathroom furniture
- Simple adaption to different door weights
- Time saving installation and adjustment procedure



	X	Y	D	H	R	T	U	V	W min.
342 (342-420)	342	186	308	295	28	338	200	50	151
	350	186	308	295	36	346	200	50	151
	420	186	308	295	98	408	200	50	151
420 (420-500)	420	255	380	395	5	414	265	37	138
	450	255	380	395	35	444	265	37	138
	500	255	380	395	85	494	265	37	138
500 (500-550)	500	293.5	420	450	30	494	295	37	138
	550	293.5	420	450	80	544	295	37	138
	550	313.5	440	480	50	544	315	37	138
600 (550-650)	600	313.5	440	480	100	594	315	37	138
	650	313.5	440	480	150	644	315	37	138

	DOOR WEIGHT / KG	EFI NO. *
Strato 342 (342-420)	1.5 - 4	427128
	4.0 - 7.2	427129
	6.5 - 11.5	427130
Strato 420 (420-500)	2.0 - 3.5	427131
	3.5 - 7.0	427132
	6.5 - 11.0	427133
Strato 500 (500-550)	8.0 - 16.0	427134
	3.8 - 10	427135
	6.0 - 15.0	427136
Strato 600 (550-650)	3.5 - 10.0	427137
	6.0 - 14.5	427138

1kg = 2.2 lbs.

*without transversal stabilization bar