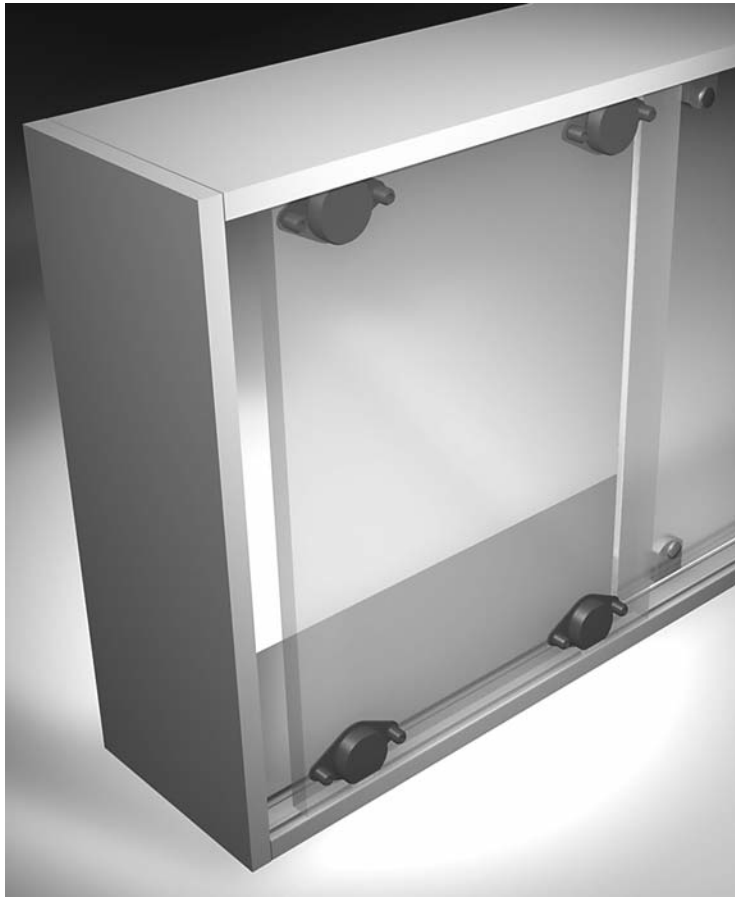


CS03

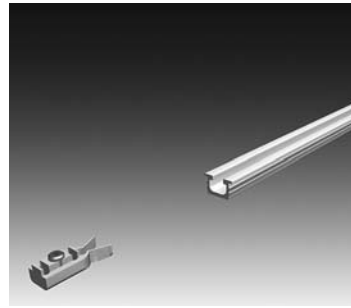
MOUNTING INSTRUCTIONS



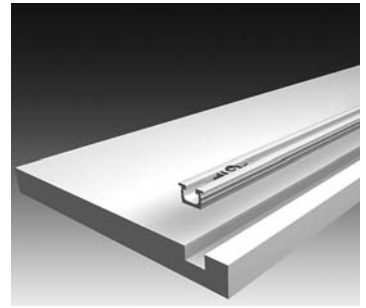
- Easy manufacturing of the panels;
- Simple assembling methods;
- Vertical adjustment of the doors without using any tool;
- Use of end stops inserted in the rail.

475049 - Hardware pack contains

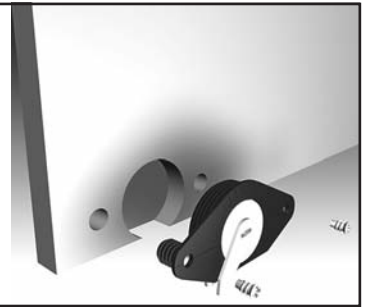
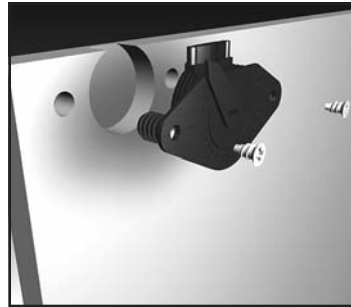
Qty	Description	Part #
2 -	Black plastic upper slide rail	475002
2 -	Adjustable black plastic lower slide with ball-bearing - load capacity 400N/per door	475003
1 -	Socket head key 2 mm to lock the stops	475084
2 -	Grey plastic lock	475004
8 -	Euro cross flathead screw M6,3x9 Applied to fix slides on wooden and aluminium doors	475022



1 Insert the locks into the rails (upper and lower).



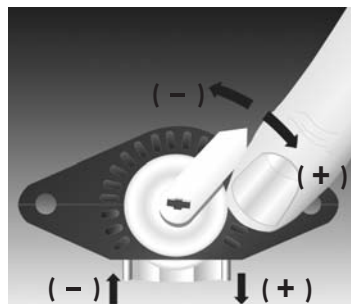
2 Insert the rail into the grooved top and bottom of the furniture.



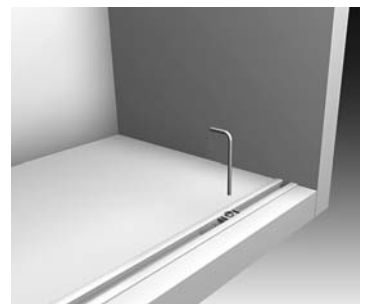
3 - 4 Insert the upper and lower slides into the proper seats in the wooden door or on the aluminium frame and insert the euro screws expanding the dowels.



5 Insert the tab of the lower slide into the rail, vertically position the door and place the tab of the upper slide into the top rail. Rotate the lever to secure door in the rail.



6 To adjust the door in height, rotate manually the lever of the lower slides in the (+) direction. (-) to lower door.



7 Position the locks along the rails and fix them using the correct location with the 2 mm allen wrench (included).

