

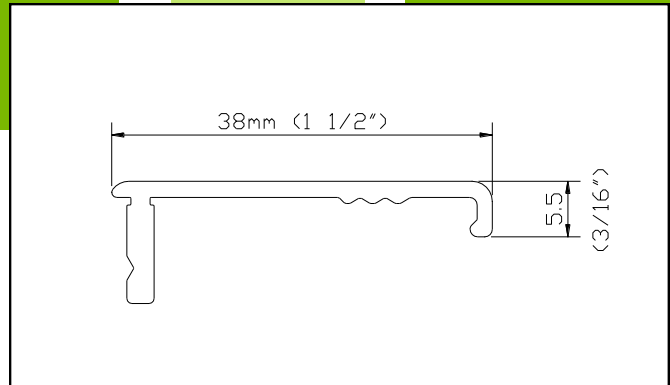


insight. innovation. influence.

Linea Handle



- Handle milled flush to edge of front for cleanest possible look
- With flush fit there is no need for additional clearance between adjacent fronts
- Available in standard and custom lengths, with a maximum length 280mm (11")
- Linea handle must start a minimum of 64mm (2 1/2") from the edge to avoid the corner bracket
- Available on the 1955, 1965, 1933, 1936 and 1905 profiles
- Handle is available in both Clear Anodize and Stainless Steel finishes



Order Information

Linea		
Item numbers		
Clear Anodize	Stainless Steel Finish	Length
581001	581002	48 (1.77")
581011	581012	112 (4.40")
581021	581022	144 (5.67")
581031	581032	176 (6.93")
581041	581042	208 (8.19")
581051	581052	272 (10.71")
581061	581062	Custom